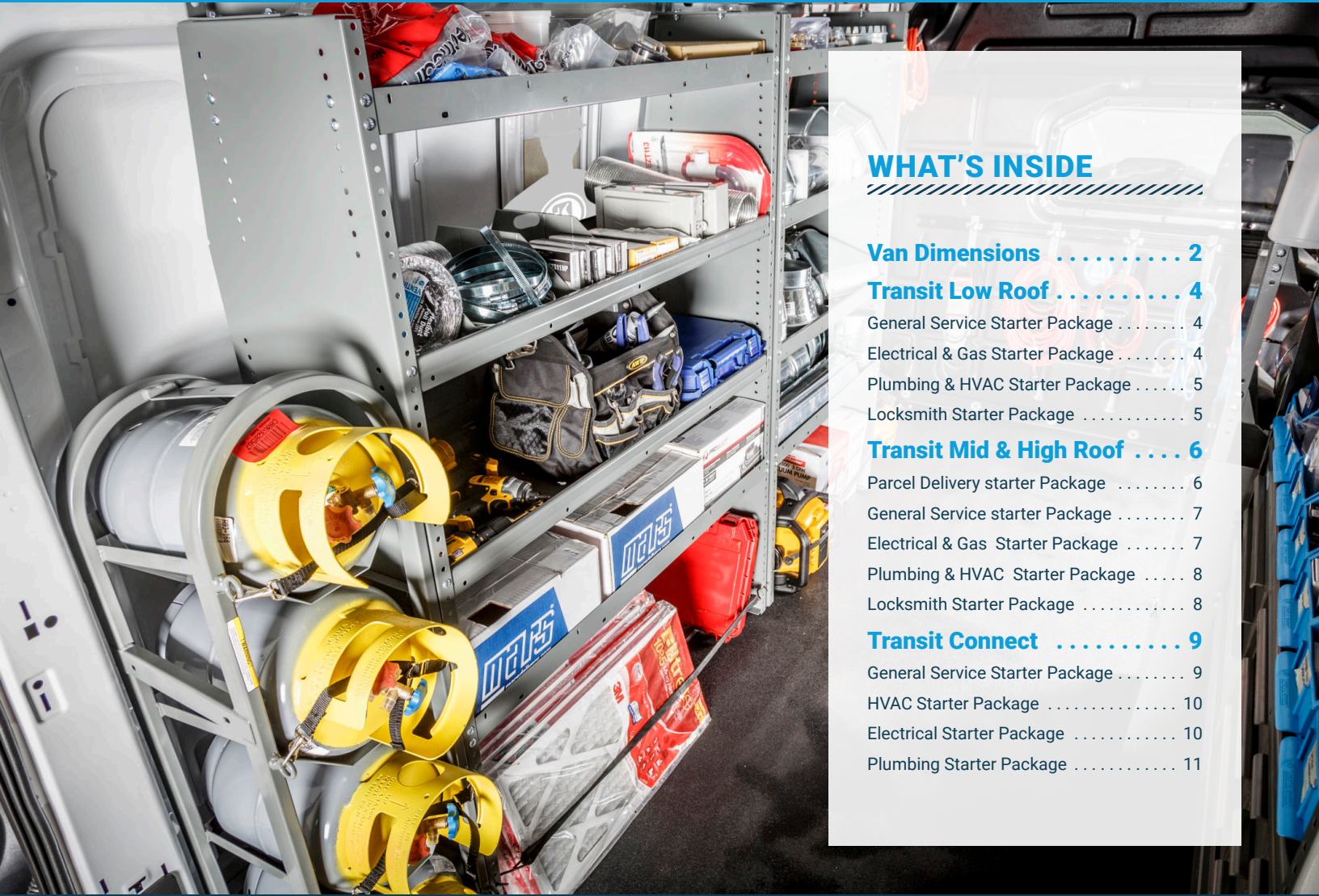




FORD TRANSIT INTERIOR STARTER PACKAGES



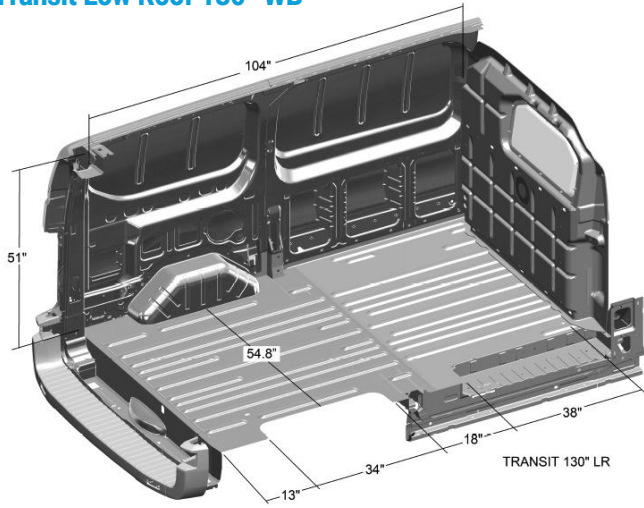
WHAT'S INSIDE

Van Dimensions	2
Transit Low Roof	4
General Service Starter Package	4
Electrical & Gas Starter Package	4
Plumbing & HVAC Starter Package	5
Locksmith Starter Package	5
Transit Mid & High Roof	6
Parcel Delivery starter Package	6
General Service starter Package	7
Electrical & Gas Starter Package	7
Plumbing & HVAC Starter Package	8
Locksmith Starter Package	8
Transit Connect	9
General Service Starter Package	9
HVAC Starter Package	10
Electrical Starter Package	10
Plumbing Starter Package	11

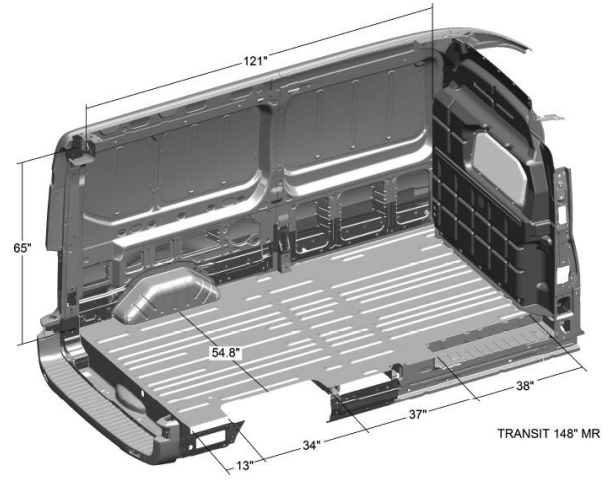
VAN DIMENSIONS

TRANSIT LOW, MID & HIGH ROOF

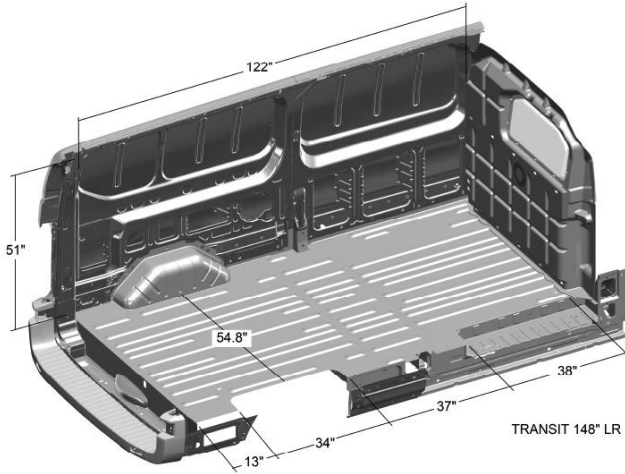
Transit Low Roof 130" WB



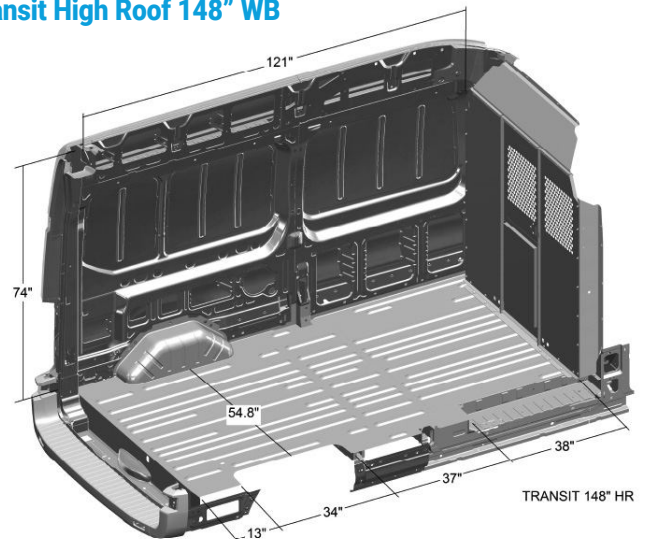
Transit Mid Roof 148" WB



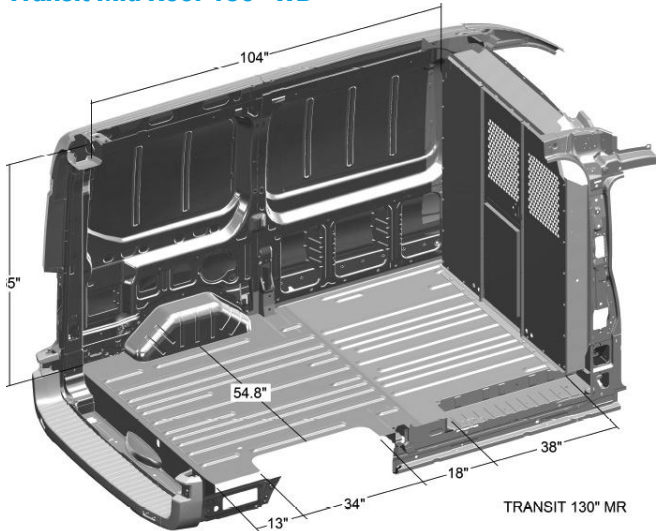
Transit Low Roof 148" WB



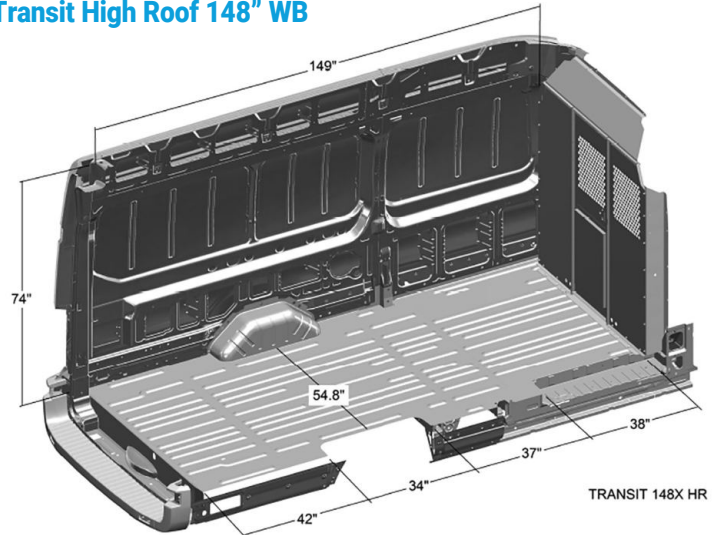
Transit High Roof 148" WB



Transit Mid Roof 130" WB



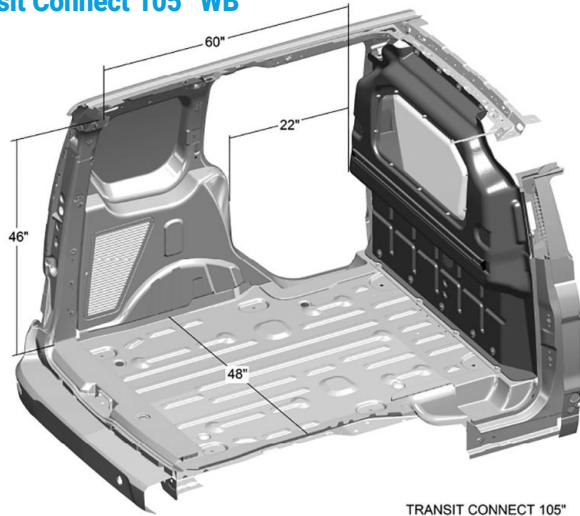
Transit High Roof 148" WB



VAN DIMENSIONS

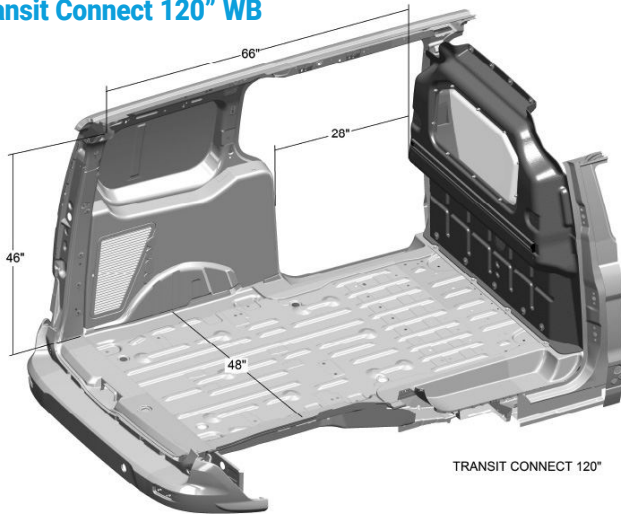
TRANSIT CONNECT

Transit Connect 105" WB



TRANSIT CONNECT 105"

Transit Connect 120" WB



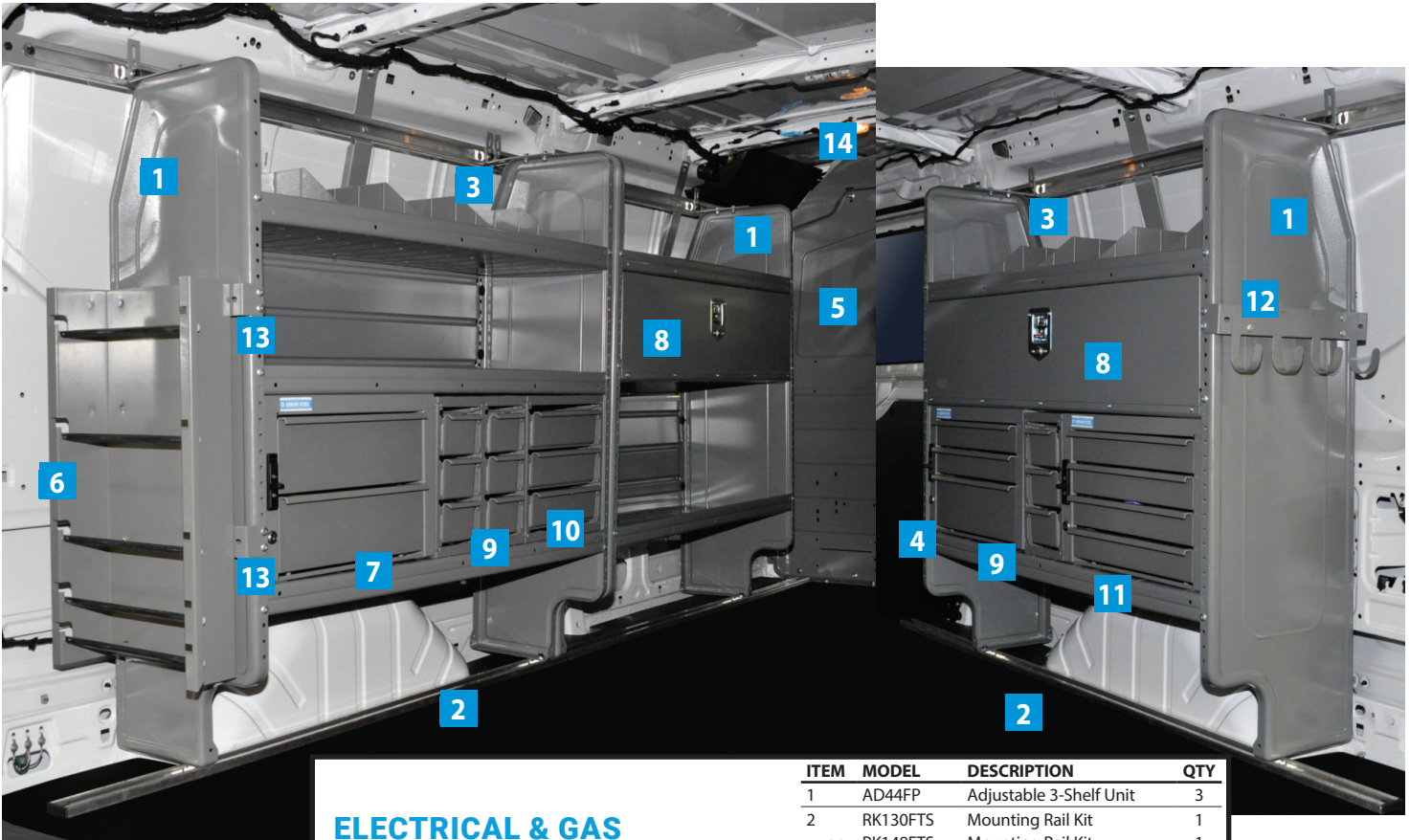
TRANSIT CONNECT 120"

Note: Dimensions for reference only. Measure your van or contact your distributor for your exact needs.

All illustrations, photos and specifications in this publication are based on the latest product information available at the time of content approval.

The right is reserved to make changes at any time, without notice, in materials, specifications and models, and also to discontinue models.

TRANSIT LOW ROOF



ELECTRICAL & GAS STARTER PACKAGE

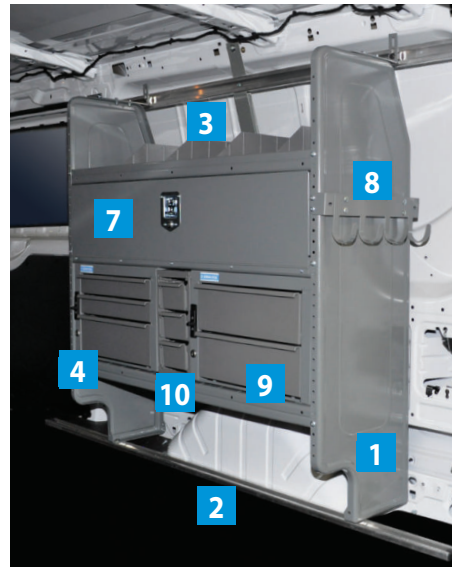
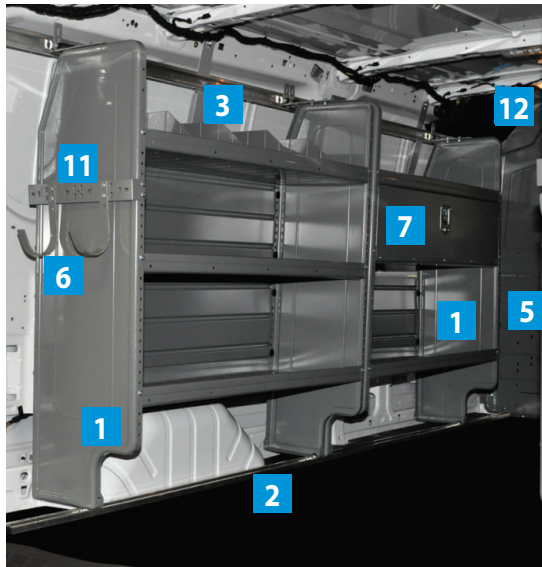
4319TL130 Transit 130"WB Low Roof
4319TL148 Transit 148"WB Low Roof

ITEM	MODEL	DESCRIPTION	QTY
1	AD44FP	Adjustable 3-Shelf Unit	3
2	RK130FTS or RK148FTS	Mounting Rail Kit	1
3	DV14C8	14" Shelf Dividers	1
4	919	3-Drawer Unit w/ Lock	1
5	S1M2HC2FSV	Steel Partition Panel Kit w/ Visibility & Door Kit	1
6	WRH5	5-Bar Spool Holder	1
7	19	2-Drawer Unit w/ Lock	1
8	DK4208	Door Kit w/ Open Back	2
9	DC6	3-Drawer Unit	3
10	DC12	3-Drawer Unit	1
11	9	4-Drawer Unit w/ Lock	1
12	TA1WAD	4-Hook Bar w/ Adapter	1
13	BRK14EPS	End Panel Mounting Bracket	2
14	WKC1FDTS	Steel Partition Mounting Kit	1

GENERAL SERVICE STARTER PACKAGE

4317TL130 Transit 130"WB Low Roof
4317TL148 Transit 148"WB Low Roof

ITEM	MODEL	DESCRIPTION	QTY
1	AD44FP	Adjustable 3-Shelf Unit	3
2	RK130FTS or RK148FTS	Mounting Rail Kit	1
3	DV14C8	14" Shelf Dividers	1
4	919	3-Drawer Unit w/ Lock	1
5	S1M2HC2FSV	Steel Partition Panel Kit w/ Visibility & Door Kit	1
6	UH50	Utility Hook	2
7	DK4208	Door Kit w/ Open Back	2
8	TA1WAD	4-Hook Bar w/ Adapter	1
9	19	2-Drawer Unit w/ Lock	1
10	DC6	3-Drawer Unit	1
11	BRK14EPS	End Panel Mounting Bracket	1
12	WKC1FDTS	Steel Partition Mounting Kit	1

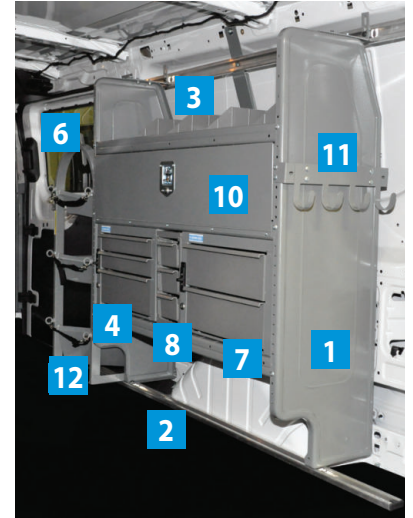
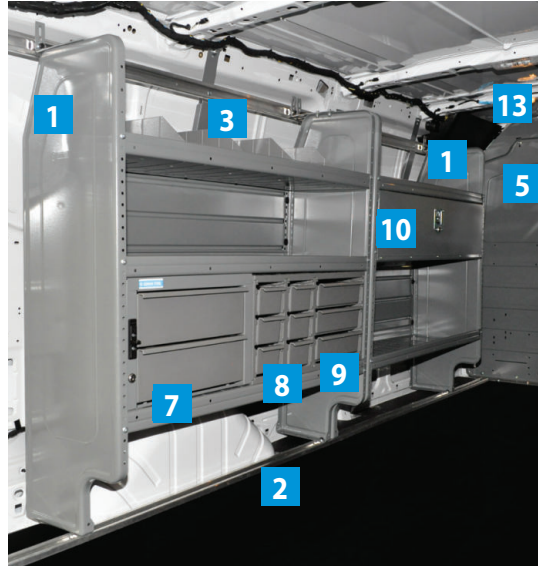


TRANSIT LOW ROOF

PLUMBING & HVAC STARTER PACKAGE

4318TL130 Transit 130"WB Low Roof
 4318TL148 Transit 148"WB Low Roof

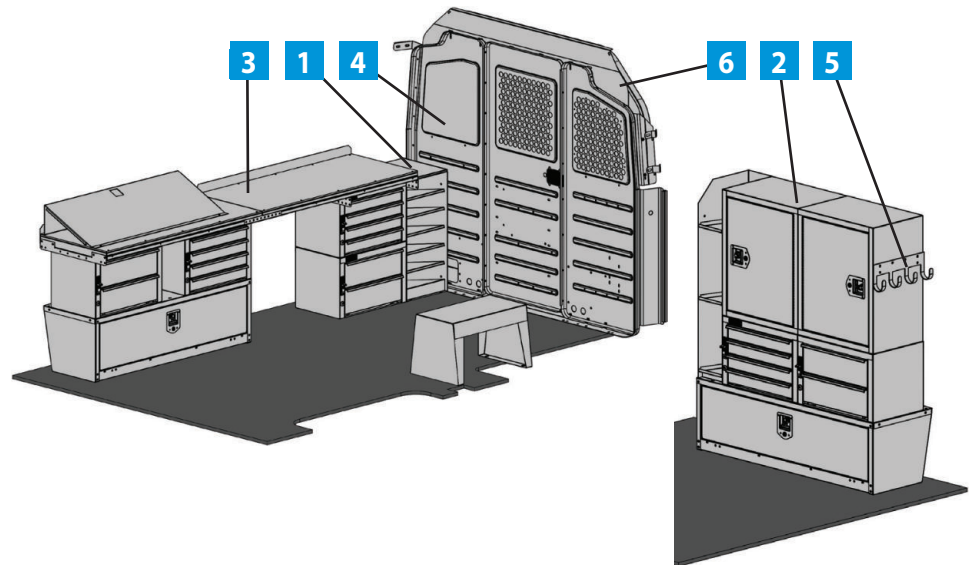
ITEM	MODEL	DESCRIPTION	QTY
1	AD44FP	Adjustable 3-Shelf Unit	3
2	RK130FTS or RK148FTS	Mounting Rail Kit	1
3	DV14C8	14" Shelf Dividers	1
4	919	3-Drawer Unit w/ Lock	1
5	S1M2HC2FSV	Partition with door	1
6	WTR230150	Welded Tank Rack	1
7	19	2-Drawer Unit w/ Lock	2
8	DC6	3-Drawer Unit	3
9	DC12	3-Drawer Unit	1
10	DK4208	Door Kit w/ Open Back	2
11	TA1WAD	4-Hook Bar w/ Adapter	1
12	RKAWTR	Welded Tank Rack Rail Adapter	1
13	WKC1FDTS	Steel Partition Mounting Kit	1



LOCKSMITH STARTER PACKAGE

5274TL Transit 130"/148"WB
 Low Roof

ITEM	MODEL	DESCRIPTION	QTY
1	17A	6-Shelf Catalog File	1
2	MD506	Shelf and Drawer Module	1
3	MD608	Workbench Module	1
4	S1M2HC2FSV	Partition with door	1
5	TA1	4-Hook Bar	1
6	WKC1FDTS	Steel Partition Mounting Kit	1



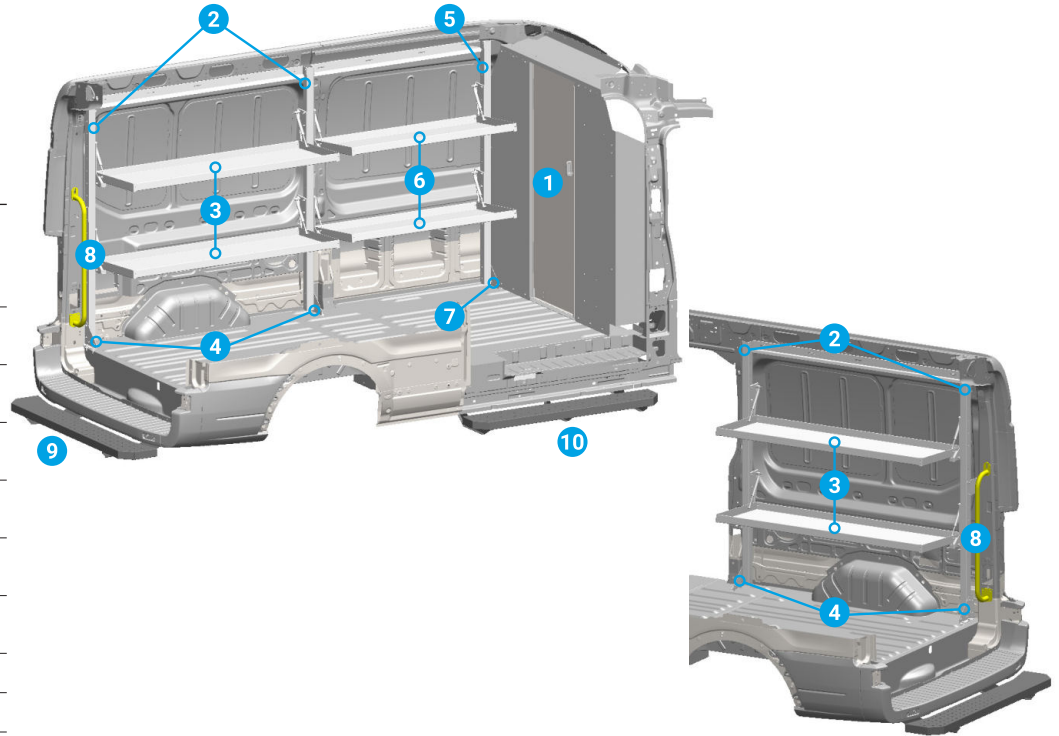
TRANSIT MID & HIGH ROOF

PARCEL DELIVERY STARTER PACKAGE

Transit 148"WB Mid Roof
Transit 148"WB High Roof

Item:	Description:	Part Number:	Qty:
1	Sliding Partition	SPARFTM (Mid) SPARFTH (High)	1
2	Post Mounting Kit	FSFPKMH	2
3	Folding Shelf Kit, 20 x 60	FSFK2060 *	2
4	Shelf Mounting Kit	FSFMKFT *	2
5	Post Mounting Kit Add-On	FSFPKMHA	1
6	Folding Shelf Kit, 20 x 48	FSFK2048 *	1
7	Shelf Mounting Kit Add-On	FSFMKFTA	1
8	Grab Handle	GHFT	2
9	Rear Step	STEPFTRD	1
10	Side Step	STEPFTSD	1

* Part number comes as a 2 pack.

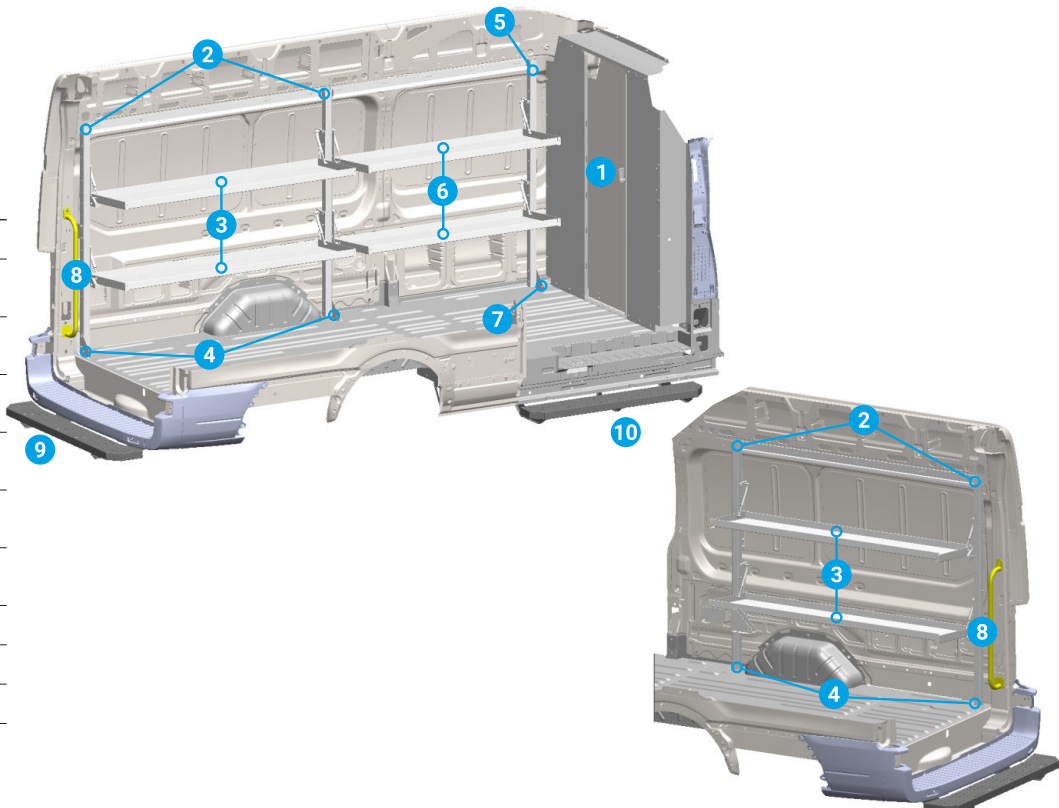


PARCEL DELIVERY STARTER PACKAGE

Transit 148"WB High Roof Extended

Item:	Description:	Part Number:	Qty:
1	Sliding Partition	SPARFTH	1
2	Post Mounting Kit	FSFPKMH	2
3	Folding Shelf Kit, 20 x 72	FSFK2072 *	2
4	Shelf Mounting Kit	FSFMKFT *	2
5	Post Mounting Kit Add-On	FSFPKMHA	1
6	Folding Shelf Kit, 20 x 60	FSFK2060 *	1
7	Shelf Mounting Kit Add-On	FSFMKFTA	1
8	Grab Handle	GHFT	2
9	Rear Step	STEPFTRD	1
10	Side Step	STEPFTSD	1

* Part number comes as a 2 pack.



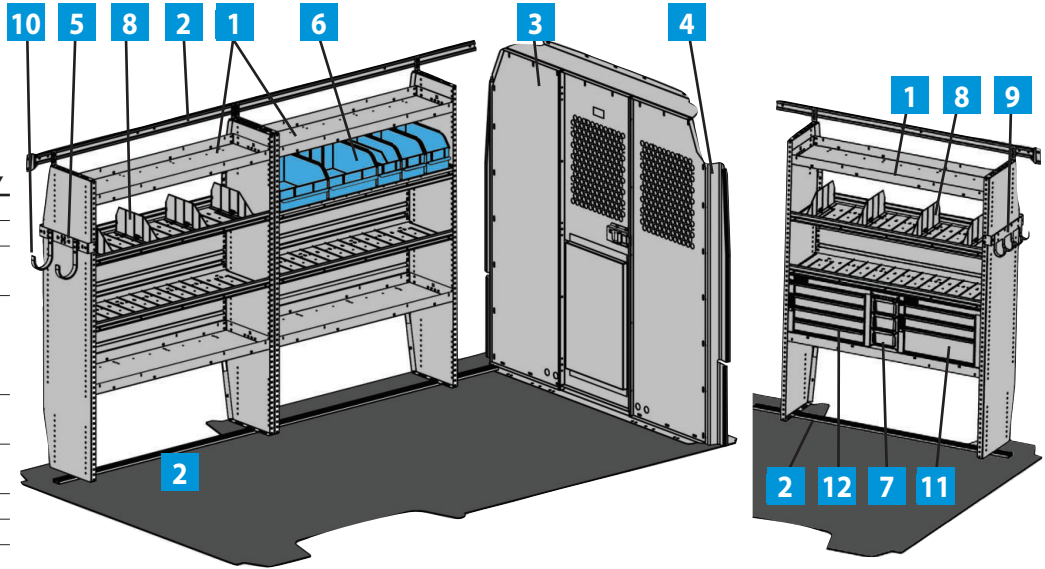
TRANSIT MID & HIGH ROOF

GENERAL SERVICE STARTER PACKAGE

4317TM130 Transit 130"WB Mid Roof
4317TM148 Transit 148"WB Mid Roof

4317TH148 Transit 148"WB High Roof
4317TH148X Transit 148"EXT WB High Roof

ITEM	MODEL	DESCRIPTION	QTY
1	HAD4459	Hybrid 4-Shelf Unit	3
2	RAIL KIT	*see list below	1
3	S1M2HC2PM	Steel Partition Panel Kit w/ Visibility & Door Kit	1
4	WKC1FDTM	Steel Partition Mounting Kit	1
or	WKC1FDTH	Steel Partition Mounting Kit	1
5	BRK14EPS	End Panel Mounting Bracket	1
6	BR36212	Bin Set for Adjustable Shelving	1
7	DC6	3-Drawer Unit	1
8	DV14C8	14" Shelf Dividers	1
9	TA1WAD	4-Hook Bar w/ Adapter	1
10	UH50	Utility Hook	2
11	919	3-Drawer Unit w/ Lock	1
12	9	4-Drawer Unit w/ Lock	1

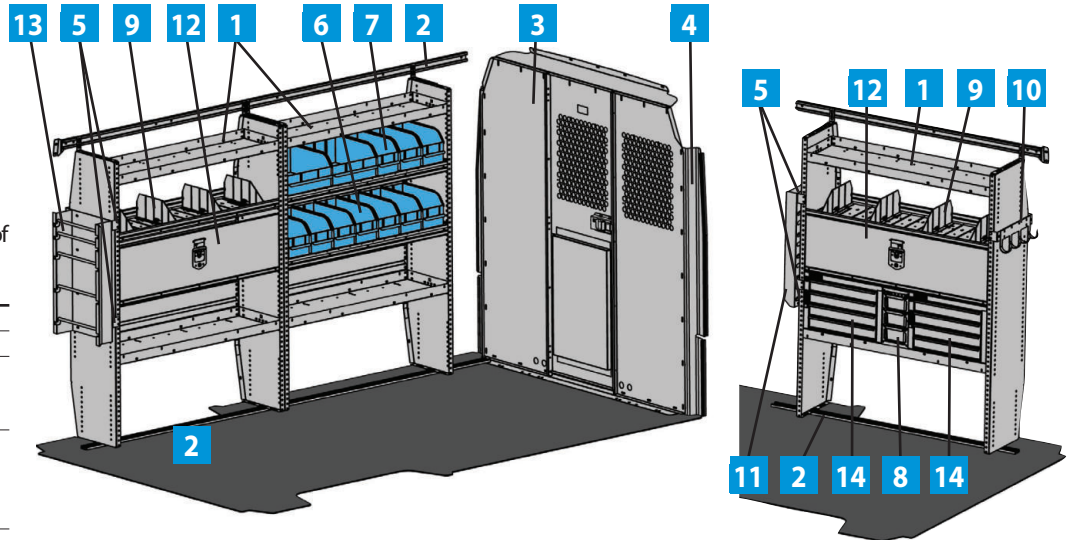


ELECTRICAL & GAS STARTER PACKAGE

4319TM130 Transit 130"WB Mid Roof
4319TM148 Transit 148"WB Mid Roof

4319TH148 Transit 148"WB High Roof
4319TH148X Transit 148"EXT WB High Roof

ITEM	MODEL	DESCRIPTION	QTY
1	HAD4459	Hybrid 4-Shelf Unit	3
2	RAIL KIT	*See list below	1
3	S1M2HC2PM	Steel Partition Panel Kit w/ Visibility & Door Kit	1
4	WKC1FDTM	Steel Partition Mounting Kit	1
or	WKC1FDTH	Steel Partition Mounting Kit	1
5	BRK14EPS	End Panel Mounting Bracket	4
6	BR76012	Bin Set for Adjustable Shelving	1
7	BR36212	Bin Set for Adjustable Shelving	1
8	DC6	3-Drawer Unit	1
9	DV14C8	14" Shelf Dividers	1
10	TA1WAD	4-Hook Bar w/ Adapter	1
11	CB5	5-Slot Literature Rack	1
12	DK4210	Door Kit w/ Open Back	2
13	WRH5	5-Bar Spool Holder	1
14	9	4-Drawer Unit w/ Lock	2



*RAIL KITS

MODEL	DESCRIPTION
RK130FTM	Mounting Rail Kit
RK148FTM	Mounting Rail Kit
RK148FTHE	Mounting Rail Kit

TRANSIT MID & HIGH ROOF

PLUMBING & HVAC STARTER PACKAGE

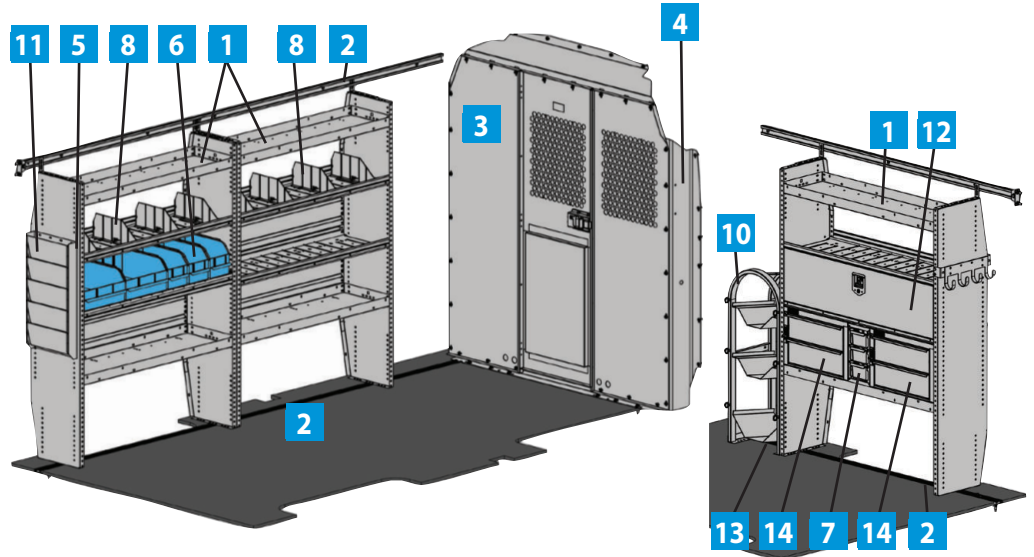
4318TM130 Transit 130"WB Mid Roof

4318TM148 Transit 148"WB Mid Roof

4318TH148 Transit 148"WB High Roof

4318TH148X Transit 148"EXT WB High Roof

ITEM	MODEL	DESCRIPTION	QTY
1	HAD4459	Hybrid 4-Shelf Unit	3
2	RAIL KIT	*see list on page 28	1
3	S1M2HC2PM	Steel Partition Panel Kit w/ Visibility & Door Kit	1
4	WKC1FDTM	Steel Partition Mounting Kit	1
or	WKC1FDTH	Steel Partition Mounting Kit	1
5	BRK14EPS	End Panel Mounting Bracket	2
6	BR36212	Bin Set for Adjustable Shelving	1
7	DC6	3-Drawer Unit	1
8	DV14C8	14" Shelf Dividers	1
9	TA1WAD	4-Hook Bar w/ Adapter	1
10	WTR230150	Welded Tank Rack	1
11	CB5	5-Slot Literature Rack	1
12	DK4210	Door Kit w/ Open Back	1
13	RKAWTR	Welded Tank Rack Rail Adapter	1
14	19	2-Drawer Unit w/ Lock	2

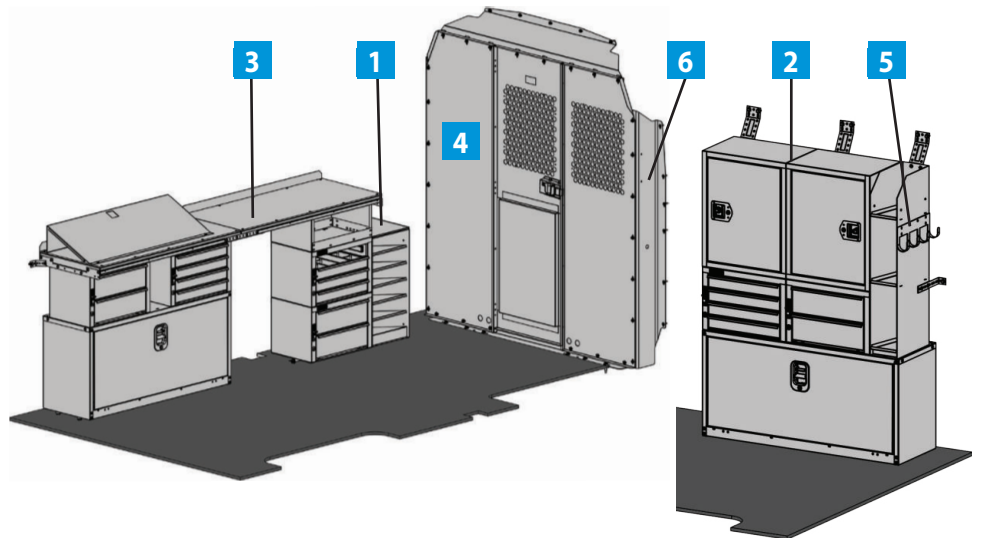


LOCKSMITH STARTER PACKAGE

5274TM Transit 130"/148" WB
Mid Roof

5274TH Transit 148"/148" EXT
WB High Roof

ITEM	MODEL	DESCRIPTION	QTY
1	17A	6-Shelf Catalog File	1
2	MD506PM	Drawer Cabinet Module	1
3	MD608PM	Workbench Module	1
4	S1M2HC2PM	Steel Partition Panel Kit w/ Visibility & Door Kit	1
5	TA1	4-Hook Bar	1
6	WKC1FDTM	Steel Partition Mounting Kit	1
or	WKC1FDTH	Steel Partition Mounting Kit	1



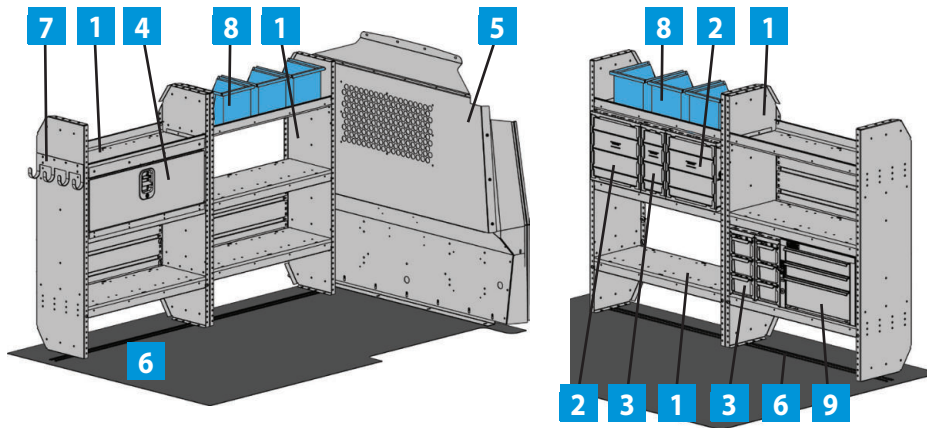
TRANSIT CONNECT



5219 GENERAL SERVICE STARTER PACKAGE

2014-on Transit Connect LWB

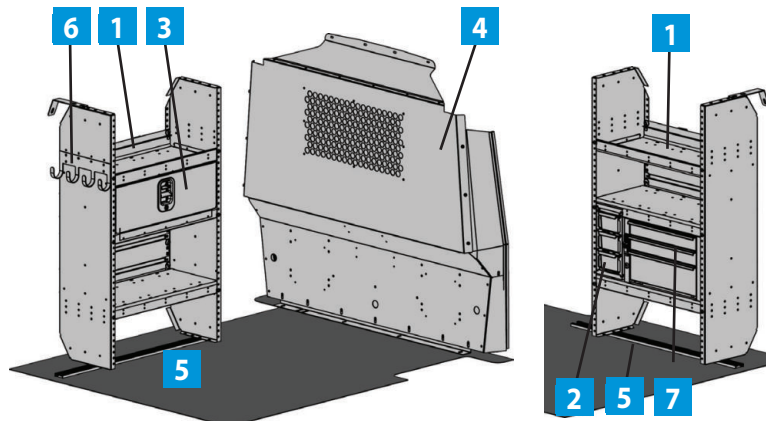
ITEM	MODEL	DESCRIPTION	QTY
1	AD1232TC14	Adjustable 3-Shelf Unit	4
2	DC12	3-Drawer Unit	2
3	DC6	3-Drawer Unit	2
4	DK32TC	Door Kit	1
5	P2TCS14	Steel Partition w/ Visibility	1
6	RKDTC14	Mounting Rail Kit	2
7	TA1	4-Hook Bar	1
8	28	Parts Bin	6
9	919	3-Drawer Unit w/ Lock	1



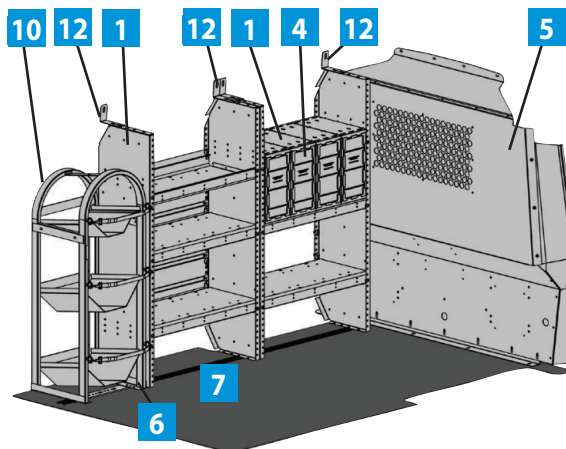
5225 GENERAL SERVICE STARTER PACKAGE

2014-on Transit Connect SWB

ITEM	MODEL	DESCRIPTION	QTY
1	AD1226TC14	Adjustable 3-Shelf Unit	2
2	DC6	3-Drawer Unit	1
3	DK26TC	Door Kit	1
4	P2TCS14	Steel Partition w/ Visibility	1
5	RKTC14	Mounting Rail Kit	2
6	TA1	4-Hook Bar	1
7	919	3-Drawer Unit w/ Lock	1



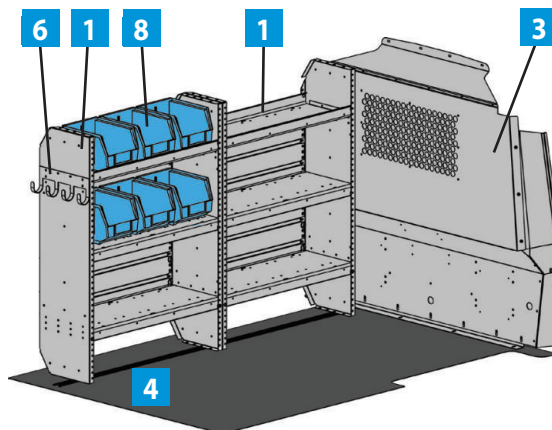
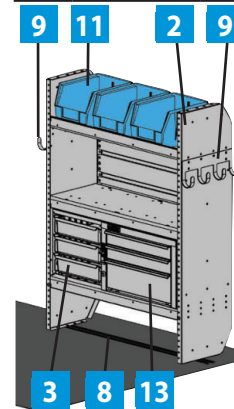
TRANSIT CONNECT



5217 HVAC STARTER PACKAGE

2014-on Transit Connect LWB

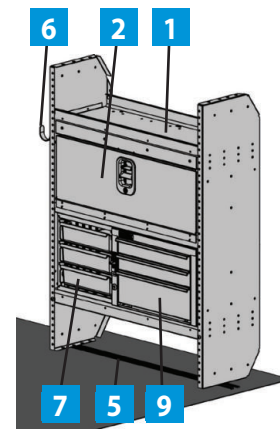
ITEM	MODEL	DESCRIPTION	QTY
1	AD1226TC14	Adjustable 3-Shelf Unit	2
2	AD1232TC14	Adjustable 3-Shelf Unit	1
3	DC12	3-Drawer Unit	1
4	DC6	3-Drawer Unit	4
5	P2TCS14	Steel Partition w/ Visibility	1
6	RKAWTR	Welded Tank Rack Rail Adapter	1
7	RKDTC14	Mounting Rail Kit	1
8	RKTC14	Mounting Rail Kit	1
9	TA1	4-Hook Bar	2
10	WTR130250	Welded Tank Rack	1
11	28	Parts Bin	3
12	46361-G	Mounting Bracket	3
13	919	3-Drawer Unit w/ Lock	1



5220 ELECTRICAL STARTER PACKAGE

2014-on Transit Connect LWB

ITEM	MODEL	DESCRIPTION	QTY
1	AD1232TC14	Adjustable 3-Shelf Unit	3
2	DK32TC	Door Kit	1
3	P2TCS14	Steel Partition w/ Visibility	1
4	RKDTC14	Mounting Rail Kit	1
5	RKTC14	Mounting Rail Kit	1
6	TA1	4-Hook Bar	2
7	DC12	3-Drawer Unit	1
8	28	Parts Bin	6
9	919	3-Drawer Unit w/ Lock	1



TRANSIT CONNECT

5222 PLUMBING STARTER PACKAGE

2014-on Transit Connect LWB

ITEM	MODEL	DESCRIPTION	QTY
1	AD1232TC14	Adjustable 3-Shelf Unit	3
2	DC6	3-Drawer Unit	8
3	DK32TC	Door Kit	1
4	P2TCS14	Steel Partition w/ Visibility	1
5	RKDTC14	Mounting Rail Kit	1
6	RKTC14	Mounting Rail Kit	1
7	UH50	Utility Hook	2
8	28	Parts Bin	3
9	919	3-Drawer Unit w/ Lock	1
10	DC12	3-Drawer Unit	2

