



NISSAN NV CARGO & NV200 INTERIOR STARTER PACKAGES

WHAT'S INSIDE

Van Dimensions 2

NV Cargo Low Roof 3

Commercial Starter Package 3

Utility Starter Package 3

Ladder Rack & Partition Starter Package 3

NV Cargo High Roof 4

Base Starter Package 4

Utility Starter Package 4

NV Cargo CIP Upgrade Packages 5

General Service Starter package 5

Electrical Starter Package 5

Security Starter Package 6

Satellite Installation Starter Package 6

HVAC Starter Package 7

Locksmith Starter Package (low roof) 7

Locksmith Starter Package (high roof) 7

NV Cargo CIP Accessories 8

Door Kit 8

Steel Partition Door Kit 8

Rear doors security screen 8

Max Comfort Steel Partition Mounting Kit 8

Aluminum Conduit Kit, 10'6" 8

N200 - Nissan CIP Program ... 9

Base Starter Package 9

Base Starter Package 9

Base Starter Package 10

Base Starter Package 10

Wire Partition w/ Utility rack Starter Package 10

Dual Shelf Starter Package 11

Dual Shelf Starter Package 11

Triple Shelf Starter Package 12

Triple Shelf Starter Package 12

Ladder Rack & Partition Starter Package 12

Non-CIP Packages

NV Cargo High Roof 13

General Service Starter Package 13

Electrical Starter Package 13

HVAC Starter Package 14

Non-CIP Packages - NV200 .. 15

General Service Starter Package 15

Plumbing Starter Package 15

Electrical Starter Package 15

General Service Starter Package 16

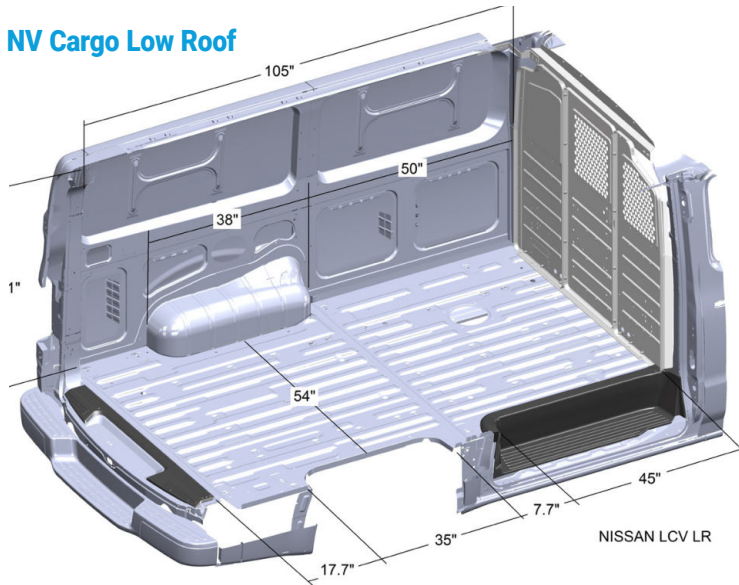
Plumbing Starter Package 16

Electrical Starter Package 16

VAN DIMENSIONS

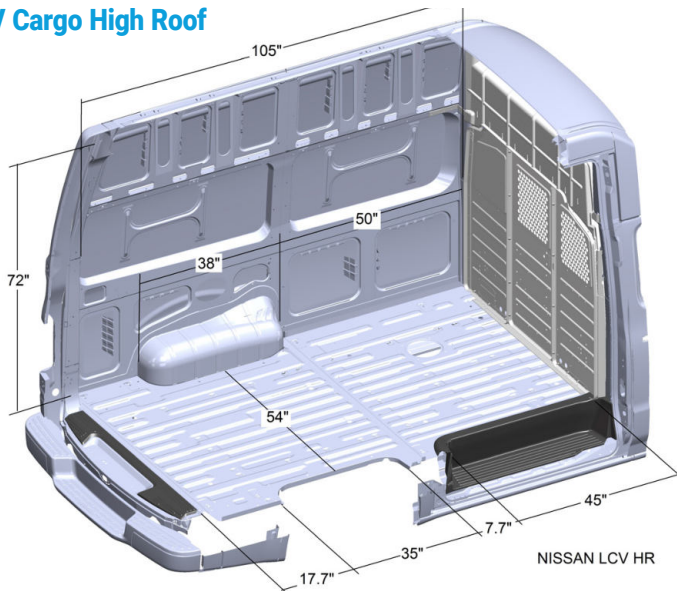
NV CARGO & NV200

NV Cargo Low Roof



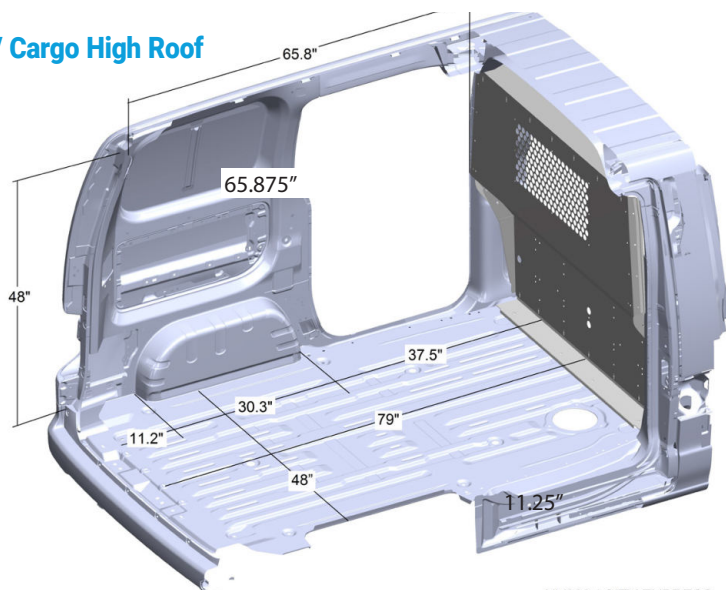
* Subtract 3" from dimension when a Max Comfort partition wing kit is installed.
Note: Dimensions for reference only. Measure your van or contact your distributor for your exact needs.

NV Cargo High Roof



* Subtract 3" from dimension when a Max Comfort partition wing kit is installed.
Note: Dimensions for reference only. Measure your van or contact your distributor for your exact needs.

NV Cargo High Roof



* Measures 79" at the floor and up to 13" off the floor.
Measures 72" at 23" and higher off the floor.

Note: Dimensions for reference only. Measure your van or contact your distributor for your exact needs.

NV CARGO LOW ROOF

COMMERCIAL STARTER PACKAGE

4484

MSRP Value \$2400

NO CHARGE!

ITEM	MODEL	DESCRIPTION	QTY
1	S1M2C2FSV	Steel Partition Panel Kit w/ Visibility	1
2	AD44LCV	Adjustable 3-Shelf Unit	3
3	TA1WAD	4-Hook Bar w/ Adapter	1
4	WKC1LCVS	Steel Partition Mounting Kit	1
5	RKLCV	Mounting Rail Kit	1



NO CHARGE!

UTILITY STARTER PACKAGE

4976

MSRP Value \$1915

NO CHARGE!

ITEM	MODEL	DESCRIPTION	QTY
1	S1M2C2FSV	Steel Partition Panel Kit w/ Visibility	1
2	3BARRNV2-W	3-Bar Utility Rack w/ Rear Roller	1
3	WKC1LCVS	Steel Partition Mounting Kit	1



Safely transport ladders, conduit, sheet goods and more on the roof of your NV Cargo with a Utility Rack.

NO CHARGE!

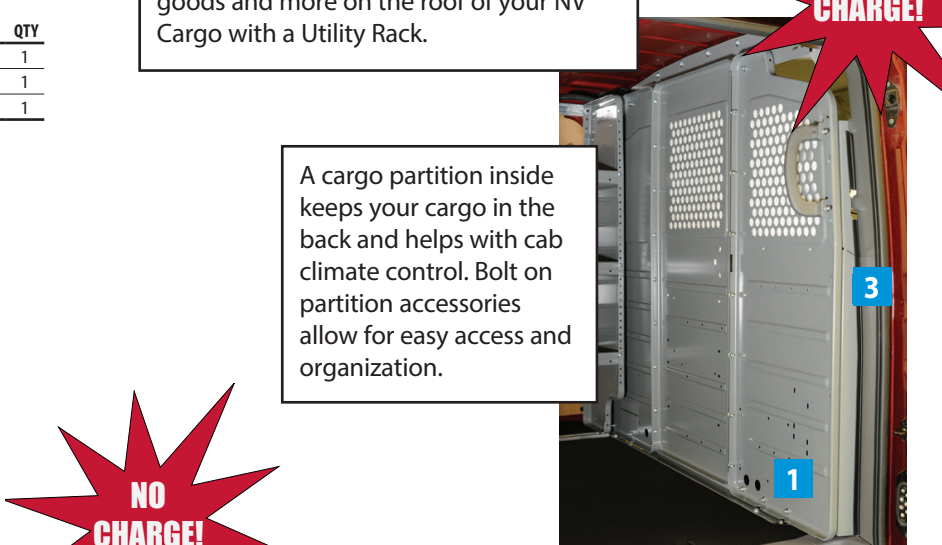
LADDER RACK & PARTITION STARTER PACKAGE

4957

MSRP Value \$1595

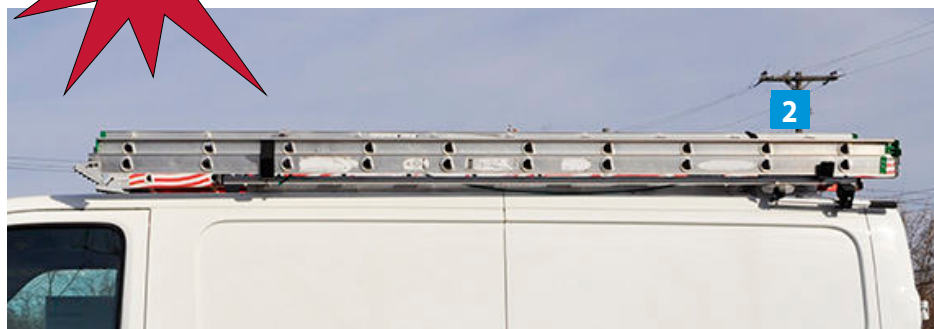
NO CHARGE!

ITEM	MODEL	DESCRIPTION	QTY
1	S1M2C2FSV	Steel Partition Panel Kit w/ Visibility	1
2	61-GLNVL2	Passenger Side Grip Lock Ladder Rack	1
3	WKC1LCVS	Steel Partition Mounting Kit	1



A cargo partition inside keeps your cargo in the back and helps with cab climate control. Bolt on partition accessories allow for easy access and organization.

NO CHARGE!



*Nissan Commercial Incentive Program provided by Nissan North America, Inc. for eligible NV Cargo vans.
 *Program available only through Nissan Business Certified Dealers in the United States.

NV CARGO HIGH ROOF

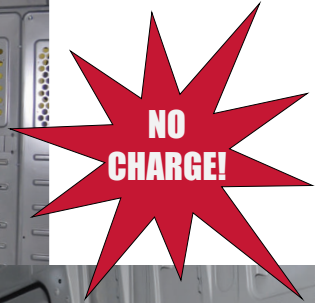
BASE STARTER PACKAGE

4519

MSRP Value \$2555

NO CHARGE!

ITEM	MODEL	DESCRIPTION	QTY
1	S1M2C2FSV	Steel Partition Panel Kit w/ Visibility	1
2	AD44LCV	Adjustable 3-Shelf Unit	3
3	TA1WAD	4-Hook Bar w/ Adapter	1
4	WKC1LCVH	Steel Partition Mounting Kit	1
5	RKLCV	Mounting Rail Kit	1



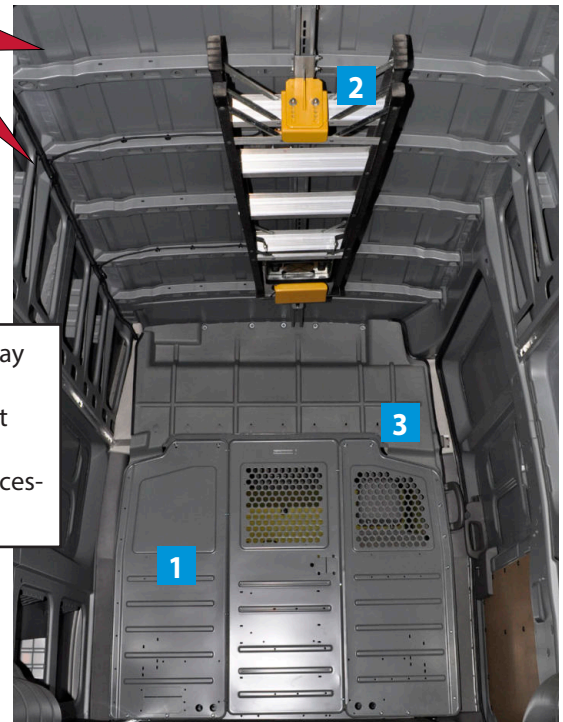
UTILITY STARTER PACKAGE

4520

MSRP Value \$1305

NO CHARGE!

ITEM	MODEL	DESCRIPTION	QTY
1	S1M2C2FSV	Steel Partition Panel Kit w/ Visibility	1
2	LKLCV	Ceiling Ladder Holder	1
3	WKC1LCVH	Steel Partition Mounting Kit	1



Keep ladders out of the elements and out of the way with an interior ladder rack. Store up to a 6 ft. step ladder inside your high roof NV Cargo. A full height cargo partition keeps your cargo in the back and helps with cab climate control. Bolt on partition accessories allow for easy access and organization.



For the latest information on the Nissan Commercial Incentive Program, please contact your Nissan Commercial Vehicle Dealer.

NV CARGO UPGRADE PACKAGES - NISSAN CIP PROGRAM

GENERAL SERVICE STARTER PACKAGE

4686NS (low roof)

MSRP Value \$3485

Less Nissan Contribution

CUSTOMER RESPONSIBILITY: \$675

4686NH (high roof)

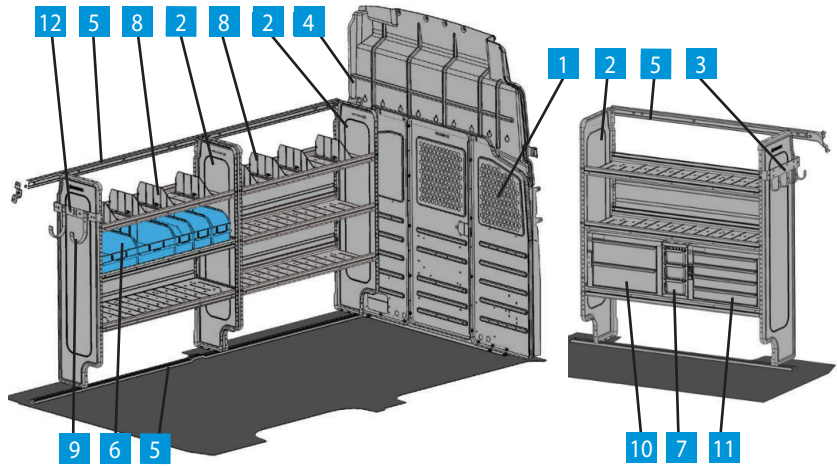
MSRP Value \$3640

Less Nissan Contribution

CUSTOMER RESPONSIBILITY: \$675



ITEM	MODEL	DESCRIPTION	QTY
1	S1M2C2FSV	Steel Partition Panel Kit w/ Visibility	1
2	AD44LCV	Adjustable 3-Shelf Unit	3
3	TA1WAD	4-Hook Bar w/ Adapter	1
4	WKC1LCVH or WKC1LCVS	Steel Partition Mounting Kit	1
5	RKLCV	Mounting Rail Kit	1
6	BR36212	Bin Set for Adjustable Shelving	1
7	DC6	3-Drawer Unit	1
8	DV14C1	Shelf Divider	8
9	UH50	Utility Hook	2
10	19	2-Drawer Unit w/ Lock	1
11	9	4-Drawer Unit w/ Lock	1
12	BRK14EPS	End Panel Mounting Bracket	1



ELECTRICAL STARTER PACKAGE

4687NS (low roof)

MSRP Value \$4380

Less Nissan Contribution

CUSTOMER RESPONSIBILITY: \$1211

4687NH (high roof)

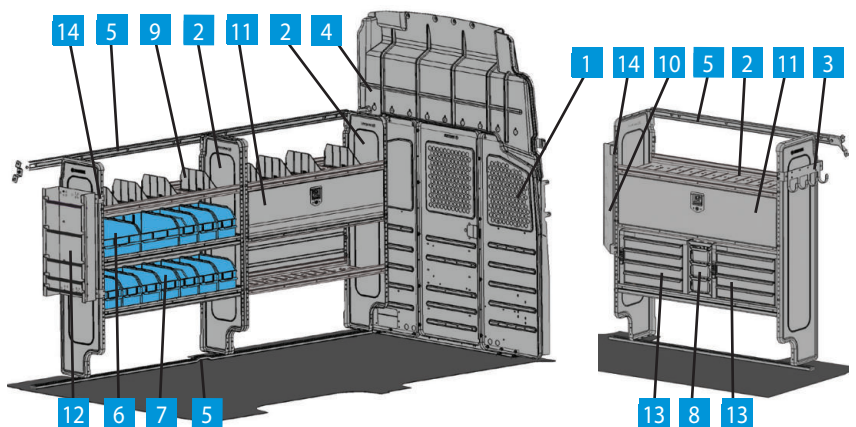
MSRP Value \$4530

Less Nissan Contribution

CUSTOMER RESPONSIBILITY: \$1211



ITEM	MODEL	DESCRIPTION	QTY
1	S1M2C2FSV	Steel Partition Panel Kit w/ Visibility	1
2	AD44LCV	Adjustable 3-Shelf Unit	3
3	TA1WAD	4-Hook Bar w/ Adapter	1
4	WKC1LCVH or WKC1LCVS	Steel Partition Mounting Kit	1
5	RKLCV	Mounting Rail Kit	1
6	BR36212	Bin Set for Adjustable Shelving	1
7	BR76012	Bin Set for Adjustable Shelving	1
8	DC6	3-Drawer Unit	1
9	DV14C1	Shelf Divider	8
10	CB5	5-Slot Literature Rack	1
11	DK4210	Door Kit w/ Open Back	2
12	WRH5	5-Bar Spool Holder	1
13	9	Four Drawer Shallow	2
14	BRK14EPS	End Panel Bracket	4



NV CARGO UPGRADE PACKAGES - NISSAN CIP PROGRAM

SECURITY STARTER PACKAGE

4688NS (low roof)

MSRP Value \$3945

Less Nissan Contribution

CUSTOMER RESPONSIBILITY: \$953

4688NH (high roof)

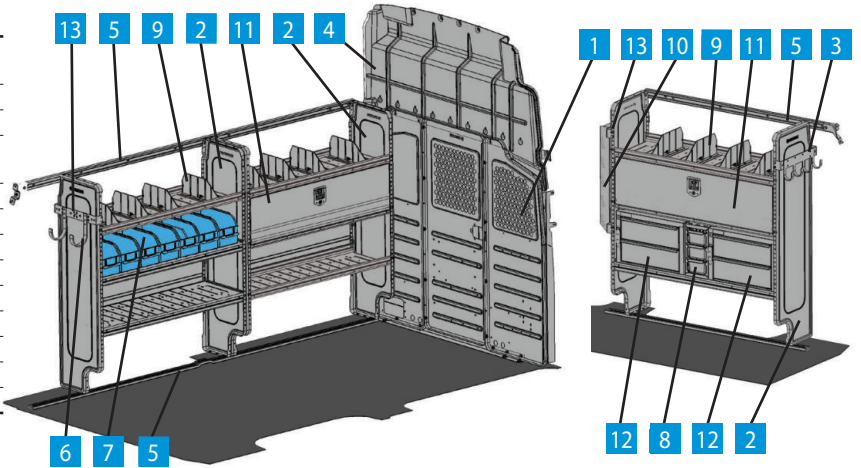
MSRP Value \$4100

Less Nissan Contribution

CUSTOMER RESPONSIBILITY: \$953



ITEM	MODEL	DESCRIPTION	QTY
1	S1M2C2FSV	Steel Partition Panel Kit w/ Visibility	1
2	AD44LCV	Adjustable 3-Shelf Unit	3
3	TA1WAD	4-Hook Bar w/ Adapter	1
4	WKC1LCVH or WKC1LCVS	Steel Partition Mounting Kit	1
5	RKLCV	Mounting Rail Kit	1
6	UH50	Utility Hook	2
7	BR76012	Bin Set for Adjustable Shelving	1
8	DC6	3-Drawer Unit	1
9	DV14C1	Shelf Divider	12
10	CB5	5-Slot Literature Rack	1
11	DK4210	Door Kit w/ Open Back	2
12	19	2-Drawer Unit w/ Lock	2
13	BRK14EPS	End Panel Bracket	3



SATELLITE INSTALLATION STARTER PACKAGE

4689NS (low roof)

MSRP Value \$3345

Less Nissan Contribution

CUSTOMER RESPONSIBILITY: \$593

4689NH (high roof)

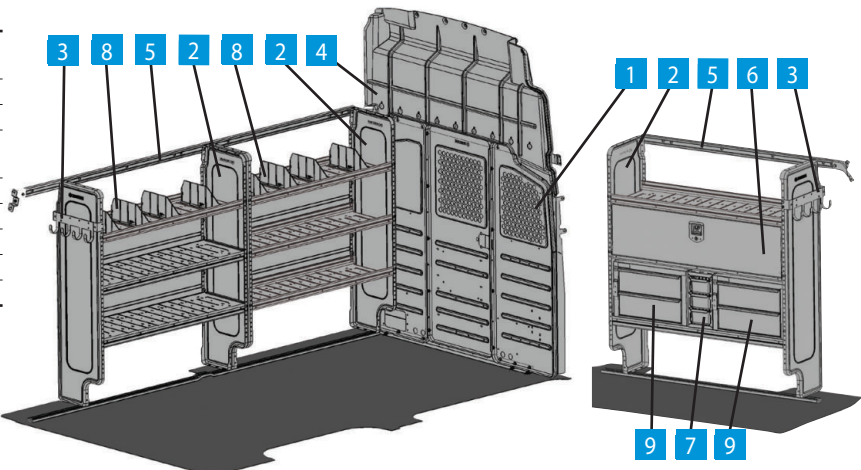
MSRP Value \$3500

Less Nissan Contribution

CUSTOMER RESPONSIBILITY: \$593



ITEM	MODEL	DESCRIPTION	QTY
1	S1M2C2FSV	Steel Partition Panel Kit w/ Visibility	1
2	AD44LCV	Adjustable 3-Shelf Unit	3
3	TA1WAD	4-Hook Bar w/ Adapter	2
4	WKC1LCVH or WKC1LCVS	Steel Partition Mounting Kit	1
5	RKLCV	Mounting Rail Kit	1
6	DK4210	Door Kit w/ Open Back	1
7	DC6	3-Drawer Unit	1
8	DV14C1	Shelf Divider	8
9	19	2-Drawer Unit w/ Lock	2



* Nissan Commercial Incentive Program provided by Nissan North America, Inc. for eligible NV Cargo vans.

* Program available only through Nissan Business Certified Dealers in the United States.

NV CARGO UPGRADE PACKAGES - NISSAN CIP PROGRAM

HVAC STARTER PACKAGE

4690NS (low roof)

MSRP Value \$4130

Less Nissan Contribution

CUSTOMER RESPONSIBILITY: \$1071

4690NH (high roof)

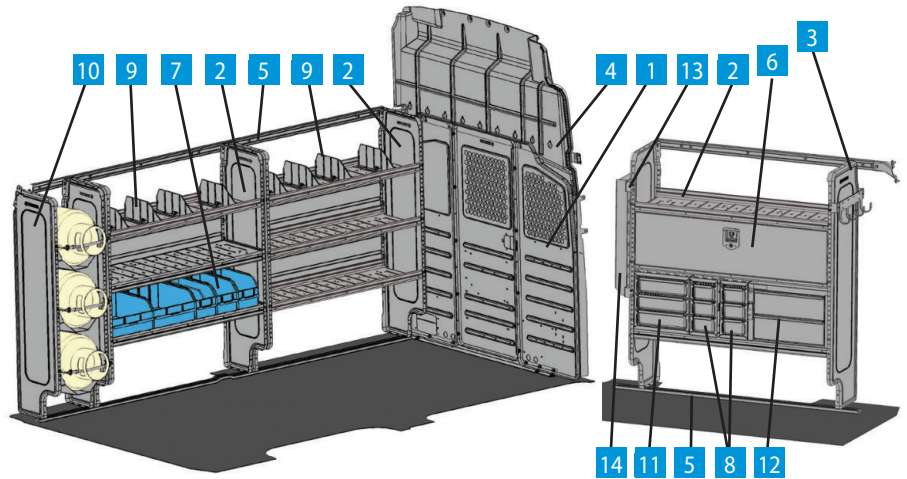
MSRP Value \$4285

Less Nissan Contribution

CUSTOMER RESPONSIBILITY: \$1071



ITEM	MODEL	DESCRIPTION	QTY
1	S1M2C2FSV	Steel Partition Panel Kit w/ Visibility	1
2	AD44LCV	Adjustable 3-Shelf Unit	3
3	TA1WAD	4-Hook Bar w/ Adapter	1
4	WKC1LCVH or WKC1LCVS	Steel Partition Mounting Kit Steel Partition Mounting Kit	1
5	RKLCV	Mounting Rail Kit	1
6	DK4210	Door Kit w/ Open Back	1
7	BR36212	Bin Set for Adjustable Shelving	1
8	DC6	3-Drawer Unit	2
9	DV14C1	Shelf Divider	8
10	TH51FP	3-Shelf Tank Rack	1
11	DC12	3-Drawer Unit	1
12	19	2-Drawer Unit w/ Lock	1
13	BRK14EPS	End Panel Mounting Bracket	2
14	CB5	5-Slot Literature Rack	1



LOCKSMITH STARTER PACKAGE

2255NS (low roof)

MSRP Value \$5870

Less Nissan Contribution

CUSTOMER RESPONSIBILITY: \$2052

ITEM	MODEL	DESCRIPTION	QTY
1	S1M2HC2FSV	Partition with Door	1
2	WKC1LCVS	Steel Partition Mounting Kit	1
3	RKLCV	Mounting Rail Kit	1
4	RKALCV	Mounting Rail Kit Adapter	1
5	MD506	Shelf and Drawer Module	1
6	MD608	Workbench Module (18" x 26" x 84")	1
7	17A	6-Shelf Catalog File	1
8	TA1	4-Hook Bar (not shown)	1



LOCKSMITH STARTER PACKAGE

2255NH (high roof)

MSRP Value \$6915

Less Nissan Contribution

CUSTOMER RESPONSIBILITY: \$2592

ITEM	MODEL	DESCRIPTION	QTY
1	S1M2HC2FSV	Partition with Door	1
2	WKC1LCVH	Steel Partition Mounting Kit	1
3	RKLCV	Mounting Rail Kit	1
4	RKALCV	Mounting Rail Kit Adapter	1
5	MD506	Shelf and Drawer Module	1
6	MD608NH	Workbench Module	1
7	17A	6-Shelf Catalog File	1
8	TA1	4-Hook Bar (not shown)	1



* Nissan Commercial Incentive Program provided by Nissan North America, Inc. for eligible NV Cargo vans.
* Program available only through Nissan Business Certified Dealers in the United States.

NV CARGO ACCESSORIES - NISSAN CIP PROGRAM



STEEL PARTITION DOOR KIT

PDK1

MSRP Value \$80

The PDK1 Partition Door Kit converts an M-Series fixed center panel into a hinged door with a keyed slam latch. Includes two 6" hinges, a bulb seal and a slam latch. These features reduce vibration noise.



MAX COMFORT STEEL PARTITION MOUNTING KIT

WKC1LCVS3 (low roof)
WKC1LCVH3 (high roof)

MSRP Value \$85

Upgrade to the Max Comfort Wing Kit and extend the amount of cab space you have by an additional 3 inches. (Reduces cargo area by 3".)

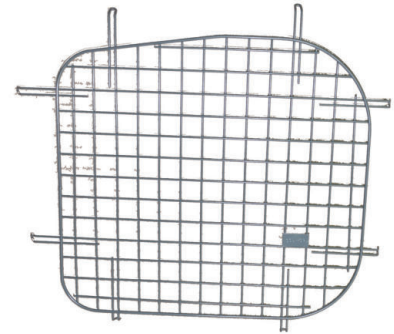


DOOR KIT

DK4208

MSRP Value \$120

Simply bolts on to an AD44LCV Adjustable 3-Shelf Unit to transform an open shelf into a locking cabinet. Creates an 8" high cabinet that keeps expensive cargo out of sight. Features a recessed, key-locking T-handle.



REAR DOORS SECURITY SCREEN

60-NRD

MSRP Value \$150

Adds security to cargo area windows



ALUMINUM CONDUIT KIT, 10'6"

80-1

MSRP Value \$615

Transport conduit safely on the top of your standard roof NV Cargo. The Aluminum Conduit Carrier's two piece design features a lift-up door with a spring assist for easy access and lockable swivel closure for security. Constructed with .063" diamond tread aluminum with a bolt-on plate at the front to allow access to the front end of the carrier.

N200 - NISSAN CIP PROGRAM

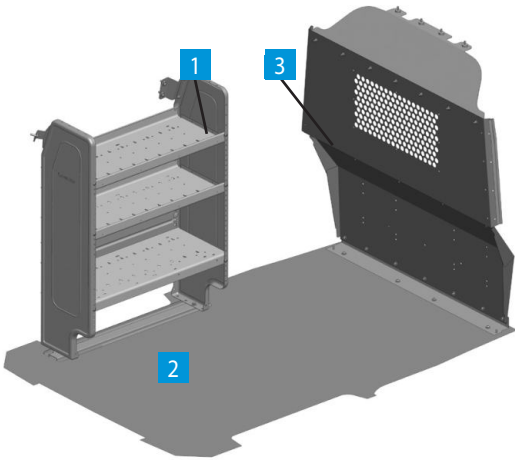
BASE STARTER PACKAGE

4959

One AD-series Shelf and Steel Partition
MSRP Value \$1090

NO CHARGE!

ITEM	MODEL	DESCRIPTION	QTY
1	AD32FP	Adjustable 3-Shelf Unit	1
2	RKNV2-SS	Driver Side Mounting Plate Kit	1
3	P2NV2S	Steel Partition w/ Visibility	1



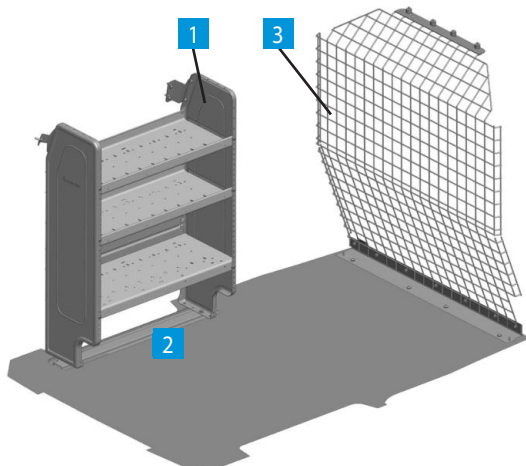
BASE STARTER PACKAGE

4960

One AD-series Shelf and Wire Partition
MSRP Value \$915

NO CHARGE!

ITEM	MODEL	DESCRIPTION	QTY
1	AD32FP	Adjustable 3-Shelf Unit	1
2	RKNV2-SS	Driver Side Mounting Plate Kit	1
3	P2NV2FW	Wire Partition	1



For the latest information on the Nissan Commercial Incentive Program, please contact your Nissan Commercial Vehicle Dealer.

N200 - NISSAN CIP PROGRAM

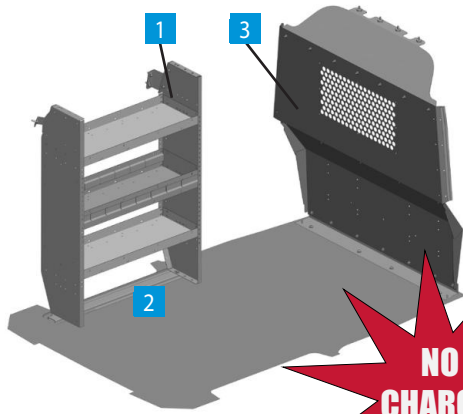
BASE STARTER PACKAGE

4961

One HD Series Shelf and Steel Partition

MSRP Value \$1150

NO CHARGE!



ITEM	MODEL	DESCRIPTION	QTY
1	HD-32NV2	3-Shelf Unit	1
2	RKNV2-SS	Driver Side Mounting Plate Kit	1
3	P2NV2S	Steel Partition w/ Visibility	1

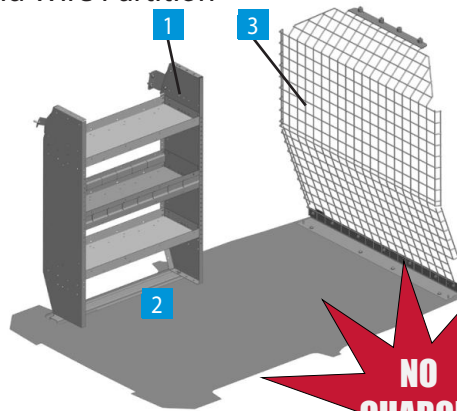
BASE STARTER PACKAGE

4962

One HD Series Shelf and Wire Partition

MSRP Value \$940

NO CHARGE!



ITEM	MODEL	DESCRIPTION	QTY
1	HD-32NV2	3-Shelf Unit	1
2	RKNV2-SS	Driver Side Mounting Plate Kit	1
3	P2NV2FW	Wire Partition	1

WIRE PARTITION W/ UTILITY RACK STARTER PACKAGE

4963

MSRP Value \$1095

NO CHARGE!

ITEM	MODEL	DESCRIPTION	QTY
1	2BNV2	2-Bar Utility Rack	1
2	P2NV2FW	Wire Partition	1



* Nissan Commercial Incentive Program provided by Nissan North America, Inc. for eligible NV200 Compact Cargo vans.
 * Program available only through Nissan Business Certified Dealers in the United States.

N200 - NISSAN CIP PROGRAM

DUAL SHELF STARTER PACKAGE

4964

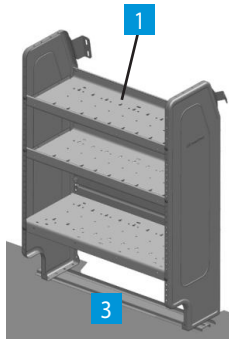
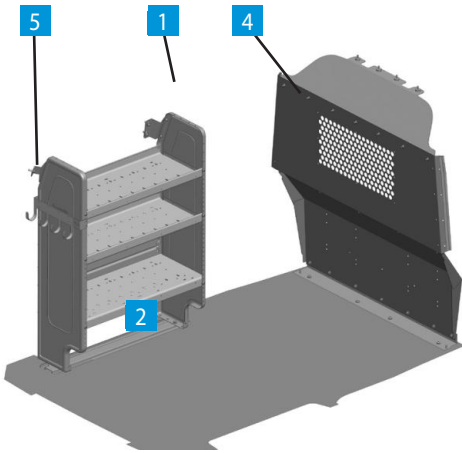
Includes two 32" AD-series Shelves

MSRP Value \$1665

Less Nissan Contribution

CUSTOMER RESPONSIBILITY: \$432

ITEM	MODEL	DESCRIPTION	QTY
1	AD32FP	Adjustable 3-Shelf Unit	2
2	RKNV2-SS	Driver Side Mounting Plate Kit	1
3	RKNV2-CS	Passenger Side Mounting Plate Kit	1
4	P2NV2S	Steel Partition w/ Visibility	1
5	TA1WAD	Hook Bar	1



DUAL SHELF STARTER PACKAGE

4965

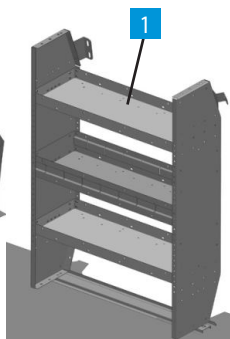
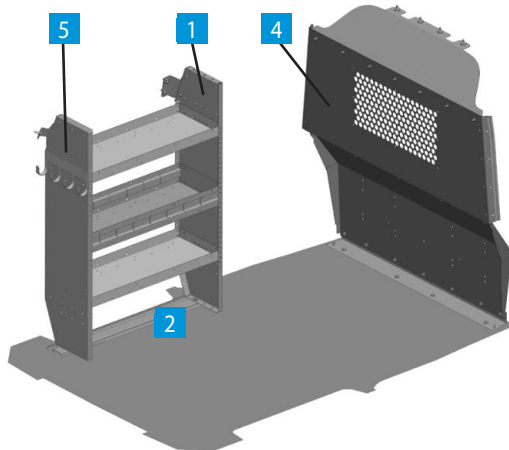
Includes two 32" HD Series Shelves

MSRP Value \$1735

Less Nissan Contribution

CUSTOMER RESPONSIBILITY: \$486

ITEM	MODEL	DESCRIPTION	QTY
1	HD-32NV2	3-Shelf Unit	2
2	RKNV2-SS	Driver Side Mounting Plate Kit	1
3	RKNV2-CS	Passenger Side Mounting Plate Kit	1
4	P2NV2S	Steel Partition w/ Visibility	1
5	TA1	Hook Bar	1



N200 - NISSAN CIP PROGRAM

TRIPLE SHELF STARTER PACKAGE

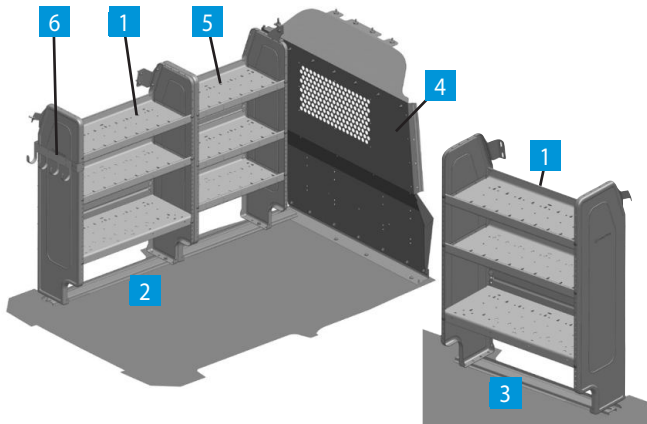
4966

Includes two 32" & one 28" AD-series Shelves

MSRP Value \$2055

Less Nissan Contribution

CUSTOMER RESPONSIBILITY: \$702



ITEM	MODEL	DESCRIPTION	QTY
1	AD32FP	Adjustable 3-Shelf Unit	2
2	RK67NV2-SS	Driver Side Mounting Rail Kit	1
3	RKNV2-CS	Passenger Side Mounting Plate Kit	1
4	P2NV2S	Steel Partition w/ Visibility	1
5	AD28NV2	Adjustable 3-Shelf Unit	1
6	TA1WAD	4-Hook Bar w/ Adapter	1

TRIPLE SHELF STARTER PACKAGE

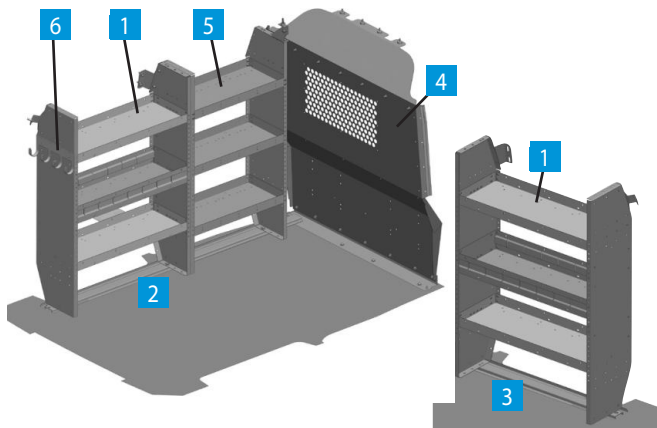
4967

Includes two 32" & one 28" HD Series Shelves

MSRP Value \$2200

Less Nissan Contribution

CUSTOMER RESPONSIBILITY: \$810



ITEM	MODEL	DESCRIPTION	QTY
1	HD-32NV2	3-Shelf Unit	2
2	RK67NV2-SS	Driver Side Mounting Rail Kit	1
3	RKNV2-CS	Passenger Side Mounting Plate Kit	1
4	P2NV2S	Steel Partition w/ Visibility	1
5	HD-28NV2	3-Shelf Unit	1
6	TA1	4-Hook Bar	1

LADDER RACK & PARTITION STARTER PACKAGE

4968

MSRP Value \$1950

Less Nissan Contribution

CUSTOMER RESPONSIBILITY: \$648

ITEM	MODEL	DESCRIPTION	QTY
1	63-NV2	Double Grip Lock Ladder Rack	1
2	P2NV2S	Steel Partition w/ Visibility	1



* Nissan Commercial Incentive Program provided by Nissan North America, Inc. for eligible NV Cargo vans.

* Program available only through Nissan Business Certified Dealers in the United States.

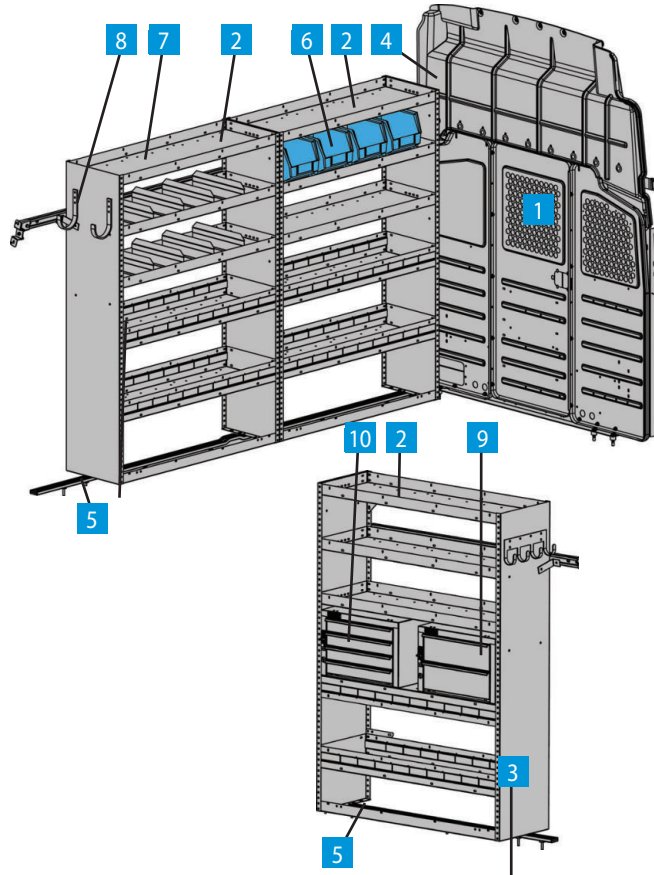
NON-CIP PACKAGES - NV CARGO HIGH ROOF

GENERAL SERVICE STARTER PACKAGE

5075NH

NV Cargo High Roof

ITEM	MODEL	DESCRIPTION	QTY
1	S1M2C2FSV	Steel Partition Panel Kit w/ Visibility	1
2	HD42NVH	5-Shelf Unit	3
3	TA1	4-Hook Bar	1
4	WKC1LCVH	Steel Partition Mounting Kit	1
5	RKLCV	Mounting Rail Kit	1
6	28	Parts Bin	4
7	DV14	Shelf Divider	8
8	UH50	Utility Hook	2
9	19	2-Drawer Unit w/ Lock	1
10	9	4-Drawer Unit w/ Lock	1

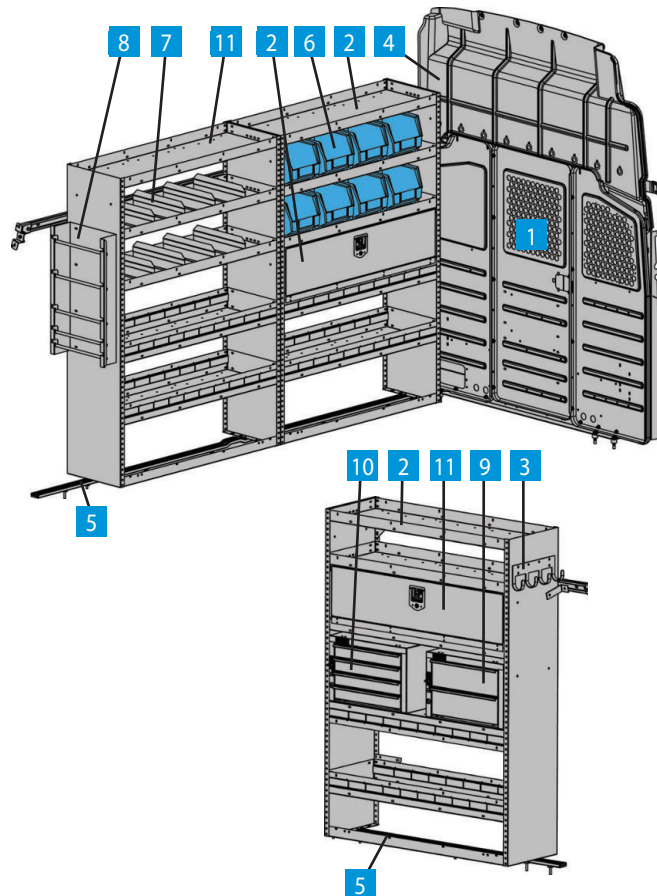


ELECTRICAL STARTER PACKAGE

5076NH

NV Cargo High Roof

ITEM	MODEL	DESCRIPTION	QTY
1	S1M2C2FSV	Steel Partition Panel Kit w/ Visibility	1
2	HD42NVH	5-Shelf Unit	3
3	TA1	4-Hook Bar	1
4	WKC1LCVH	Steel Partition Mounting Kit	1
5	RKLCV	Mounting Rail Kit	1
6	28	Parts Bin	8
7	DV14	Shelf Divider	8
8	WRH5	5-Bar Spool Holder	1
9	19	2-Drawer Unit w/ Lock	1
10	9	4-Drawer Unit w/ Lock	1
11	DK542	Door Kit w/ Back Panel w/ Back Panel	2



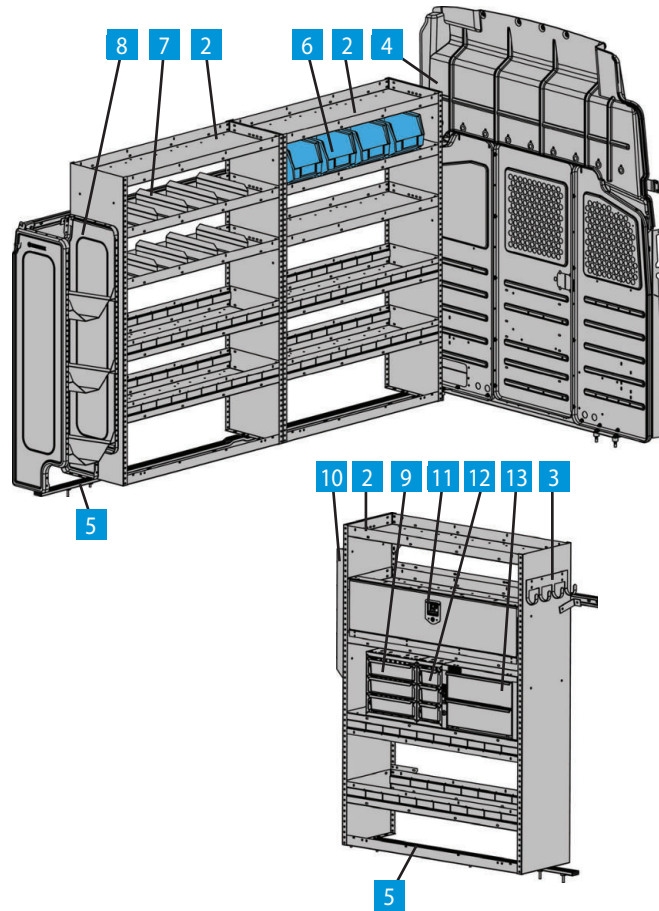
NON-CIP PACKAGES - NV CARGO HIGH ROOF

HVAC STARTER PACKAGE

5079NH

NV Cargo High Roof

ITEM	MODEL	DESCRIPTION	QTY
1	S1M2C2FSV	Steel Partition Panel Kit w/ Visibility	1
2	HD42NVH	5-Shelf Unit	3
3	TA1	4- Hook Bar	1
4	WKC1LCVH	Steel Partition Mounting Kit	1
5	RKLCV	Mounting Rail Kit	1
6	28	Parts Bin	4
7	DV14	Shelf Divider	8
8	TH51FP	3-Shelf Tank Rack	1
9	DC12	3-Drawer Unit	1
10	CB5	5-Slot Literature Rack	1
11	DK542	Door Kit w/ Back Panel	1
12	DC6	3-Drawer Unit	1
13	19	2-Drawer Unit w/ Lock	1



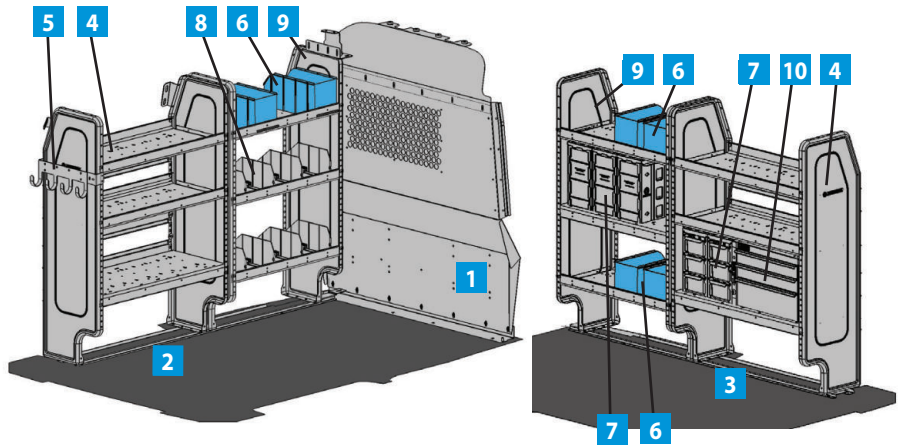
NON-CIP PACKAGES - NV200

GENERAL SERVICE STARTER PACKAGE

5100

NV200 Compact Cargo

ITEM	MODEL	DESCRIPTION	QTY
1	P2NV2S	Steel Partition w/ Visibility	1
2	RK67NV2-SS	Driver Side Mounting Rail Kit	1
3	RK67NV2-CS	Passenger Side Mounting Rail Kit	1
4	AD32FP	Adjustable 3-Shelf Unit	2
5	TA1WAD	4-Hook Bar w/ Adapter	1
6	SBIN060614	Snap In Bin	6
7	DC6	3-Drawer Unit	5
8	DV14C8	14" Shelf Dividers	1
9	AD28NV2	Adjustable 3-Shelf Unit	2
10	919	3-Drawer Unit w/ Lock	1

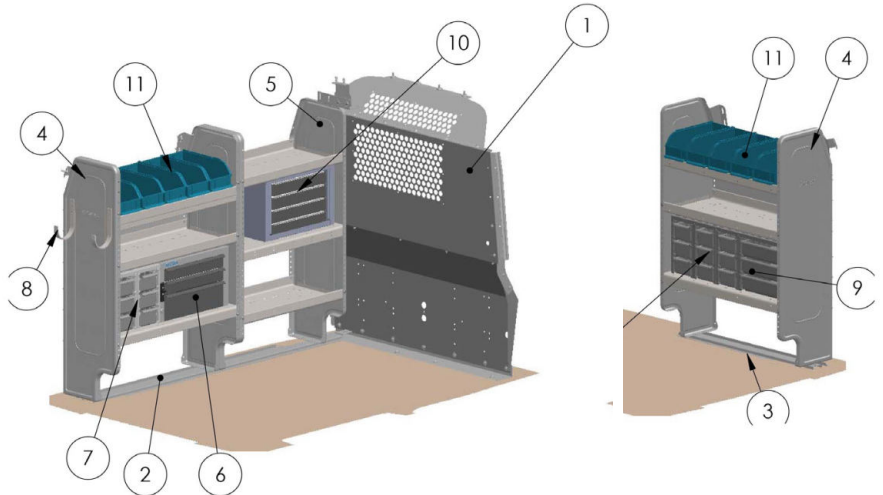


PLUMBING STARTER PACKAGE

5096

NV200

ITEM	MODEL	DESCRIPTION	QTY
1	P2NV2S	Steel Partition w/ Visibility	1
2	RK67NV2-SS	Driver Side Mounting Rail Kit	1
3	RKNV2-CS	Passenger Side Mounting Plate Kit	1
4	AD32FP	Adjustable 3-Shelf Unit	2
5	AD28NV2	Adjustable 3-Shelf Unit	1
6	919	3-Drawer Unit w/ Lock	1
7	DC6	3-Drawer Unit	5
8	UH50	Utility Hook	2
9	DC12	3-Drawer Unit	1
10	9	4-Drawer Unit w/ Lock	1
11	SBIN060614	Snap In Bin	10

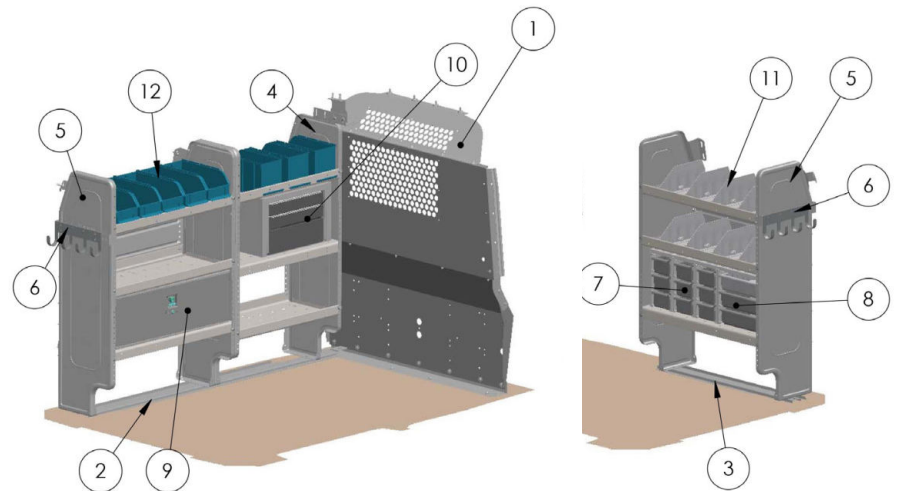


ELECTRICAL STARTER PACKAGE

5099

NV200

ITEM	MODEL	DESCRIPTION	QTY
1	P2NV2S	Steel Partition w/ Visibility	1
2	RK67NV2-SS	Driver Side Mounting Rail Kit	1
3	RKNV2-CS	Passenger Side Mounting Rail Kit	1
4	AD28NV2	Adjustable 3-Shelf Unit	1
5	AD32FP	Adjustable 3-Shelf Unit	2
6	TA1WAD	4-Hook Bar w/ End Panel Adapter	2
7	DC6	3-Drawer Unit	3
8	DC12	3-Drawer Unit	1
9	DK532	Door Kit w/ Back Panel	1
10	919	3-Drawer Unit w/ Lock	1
11	DV14C8	Shelf Divider Kit	1
12	SBIN060614	Snap In Bin	8



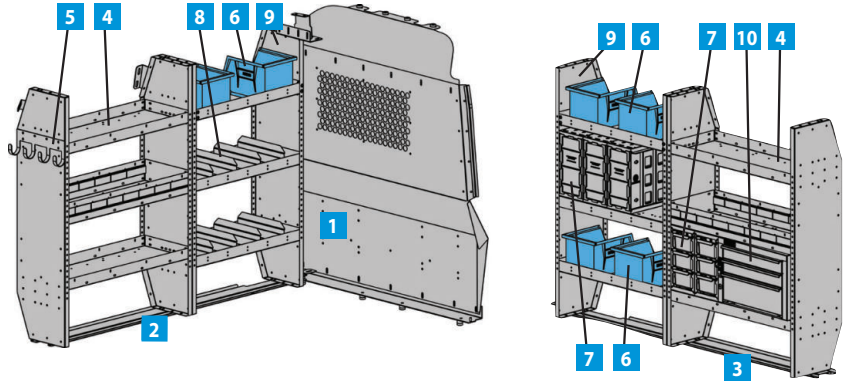
NON-CIP PACKAGES - NV200

GENERAL SERVICE STARTER PACKAGE

5084

NV200 Compact Cargo

ITEM	MODEL	DESCRIPTION	QTY
1	P2NV2S	Steel Partition w/ Visibility	1
2	RK67NV2-SS	Driver Side Mounting Rail Kit	1
3	RK67NV2-CS	Passenger Side Mounting Rail Kit	1
4	HD-32NV2	3-Shelf Unit	2
5	TA1	4-Hook Bar	1
6	28	Parts Bin	6
7	DC6	3-Drawer Unit	5
8	DV12	Shelf Divider	8
9	HD-28NV2	3-Shelf Unit	2
10	919	3-Drawer Unit w/ Lock	1

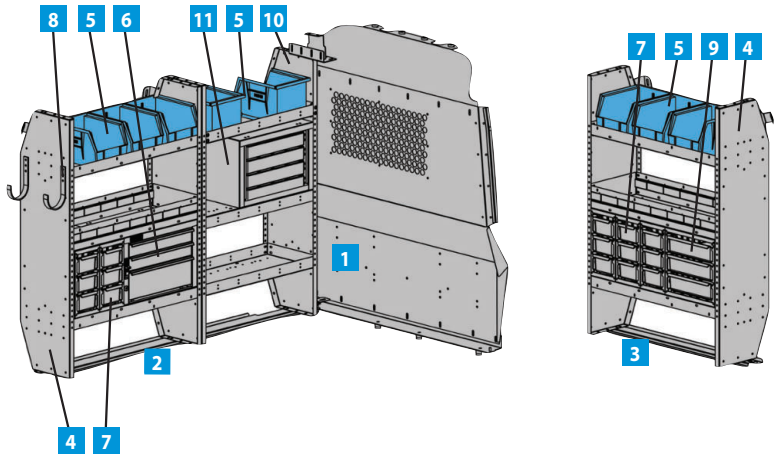


PLUMBING STARTER PACKAGE

5080

NV200 Compact Cargo

ITEM	MODEL	DESCRIPTION	QTY
1	P2NV2S	Steel Partition w/ Visibility	1
2	RK67NV2-SS	Driver Side Mounting Rail Kit	1
3	RKNV2-CS	Passenger Side Mounting Plate Kit	1
4	HD-32NV2	3-Shelf Unit	2
5	28	Parts Bin	8
6	919	3-Drawer Unit w/ Lock	1
7	DC6	3-Drawer Unit	5
8	UH50	Utility Hook	2
9	DC12	3-Drawer Unit	1
10	HD-28NV2	3-Shelf Unit	1
11	9	4-Drawer Unit w/ Lock	1



ELECTRICAL STARTER PACKAGE

5083

NV200 Compact Cargo

ITEM	MODEL	DESCRIPTION	QTY
1	P2NV2S	Steel Partition w/ Visibility	1
2	RK67NV2-SS	Driver Side Mounting Rail Kit	1
3	RKNV2-CS	Passenger Side Mounting Plate Kit	1
4	HD-32NV2	3-Shelf Unit	2
5	TA1	4-Hook Bar	2
6	28	Parts Bin	8
7	DC6	3-Drawer Unit	3
8	DC12	3-Drawer Unit	1
9	DV12	Shelf Divider	8
10	HD-28NV2	3-Shelf Unit	1
11	919	3-Drawer Unit w/ Lock	1
12	DK532	Door Kit	1

